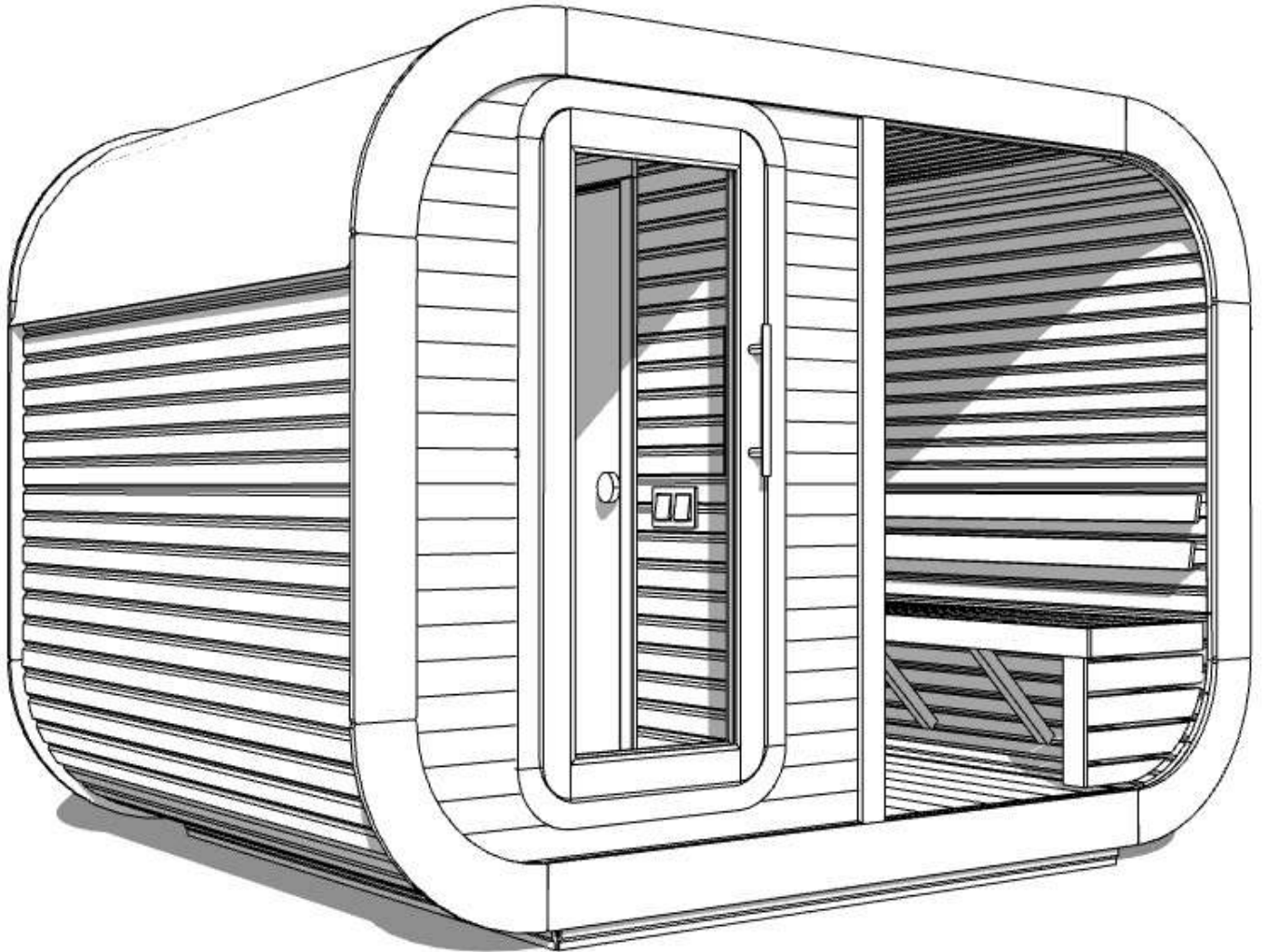


# CARCASS SAUNA CUBE

SCC33X24

## ASSEMBLY INSTRUCTION



# FOUNDATION

## FOUNDATION

It is very important to have a proper foundation. Therefore we recommend making the foundation according to the sketches here.

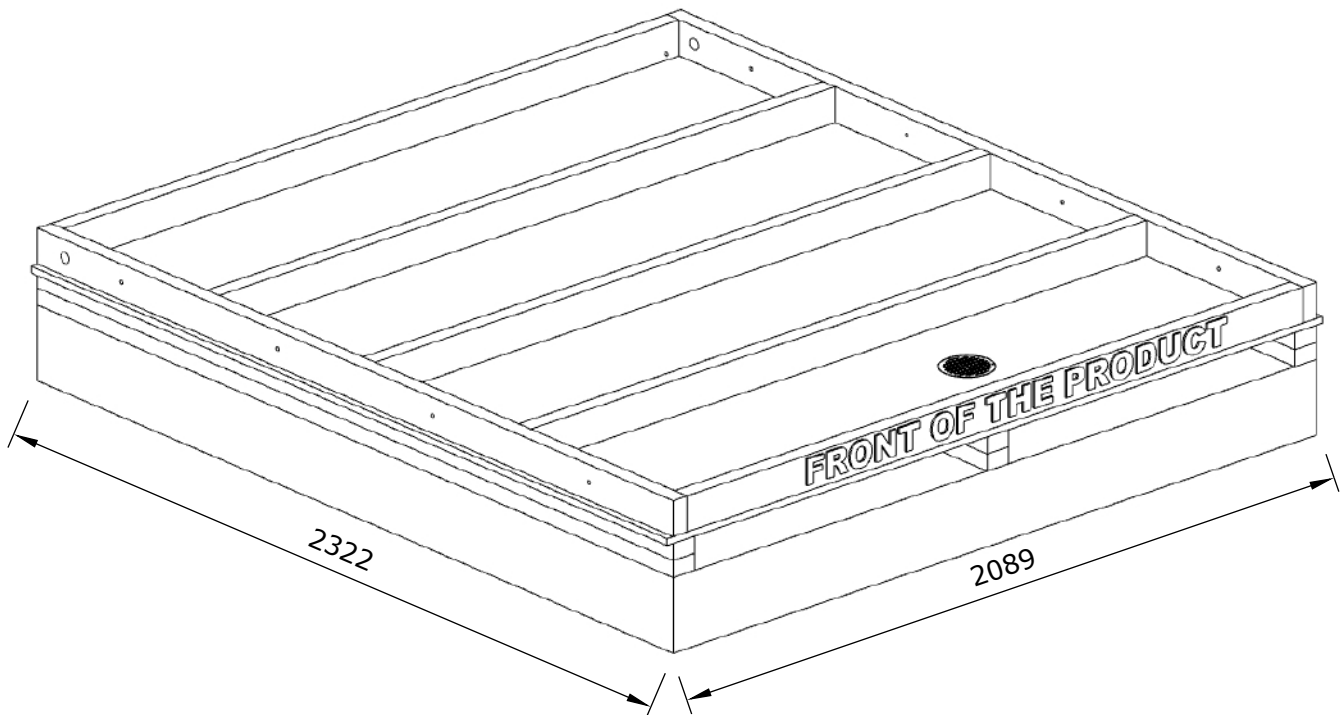
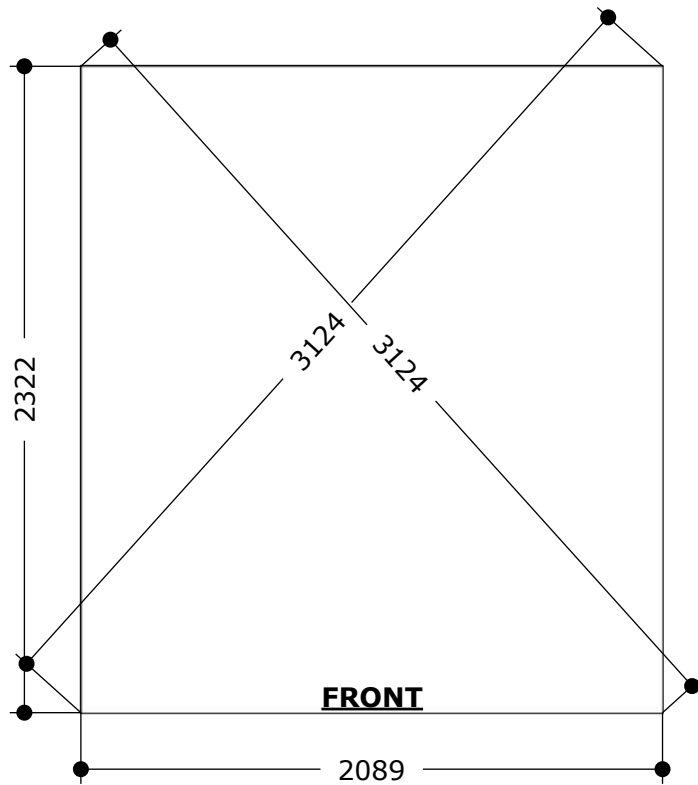
First of all, foundation must be prepared according to the landscape and ground conditions.

The foundation under the product must be prepared specially, it must be homogeneous, tight and equal. It must be ensured that it will not change its properties. We recommend using concrete foundation. Before installation of product, we recommend to make hydro isolation of foundation.

**Consult a local qualified builder or an engineer to prepare a proper foundation, which fits to your location.**

Due to improper foundation, cracks in the structures may occur. Due to uneven building seating, the geometric shape of the building may change, which can result in door / window twist, or/and gap may appear. And in the worst case building's collapse.

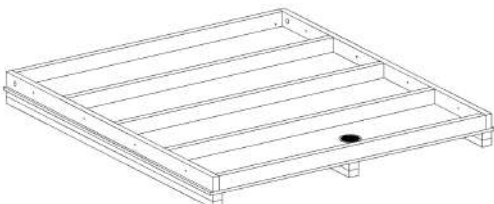


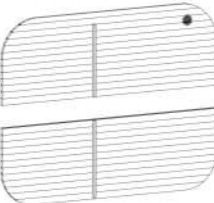
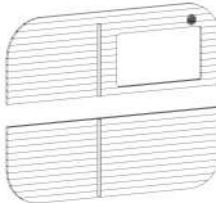

If you do not follow recommendation, product will lose its warranty.



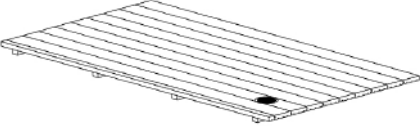



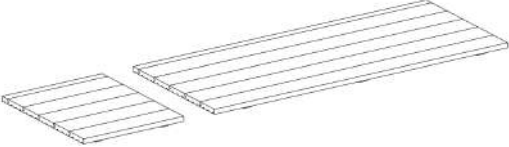

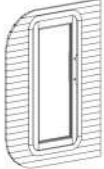
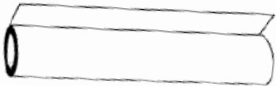
# List of screws

No.	Description	Pcs.	Used in steps
A1	M8x90	32	1/3/4
A2	5x100	125	2/5/7/10/16/17/22
A3	6x80	8	8
A4	3.5x45	111	11/12/16/19/28/29
A5	4x70	53	13/14/15/16/18/19
A6	5x120	18	21
A7	5x60	12	22
A8	NG 34/38 (NAIL)	228	23/25/26/27
A9	4.2x13	16	24
	Silicone	1	20




# List of parts

No.	Detail	Pcs.	Dimensions	Used in steps
1.		1	2130x2322x200	1
2.		1	621x2397x2237	1
3.		1	621x2397x2237	3
4.	 <div style="display: inline-block; vertical-align: middle; text-align: center;"> <b>Optional parts</b> </div> 	1	38x3110x2100	2/5
5.		1	150x2397x2090	4

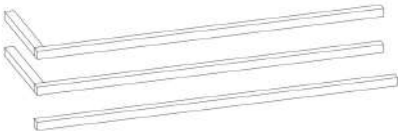
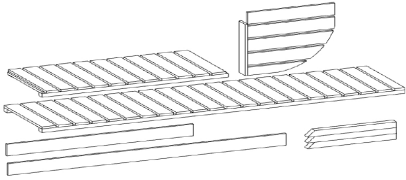

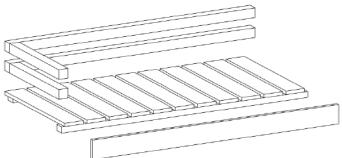
# List of parts

No.	Detail	Pcs.	Dimensions	Used in steps
6.		1	56x2320x1290	6
7.		1	61x1995x720	7
8.		1	61x1995x900	7
9.		1	100x1950x750	8/11/12
10.		1	56x1730x730 56x590x730	9
11.		4	45x90x2320	7/10
12.		1	120x1514x2100	22
13.		5	3x1000x2395	23/25/26

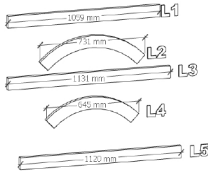
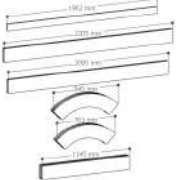
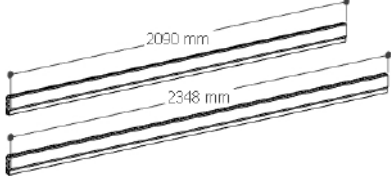
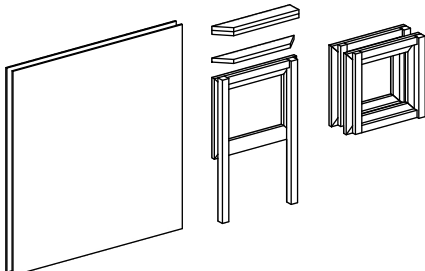
# List of parts

No.	Detail	Pcs.	Dimensions	Used in steps
14.		2	3x70x5000	27
15.		4	1x40x1200	24
16.		1	10x1600x2100	21

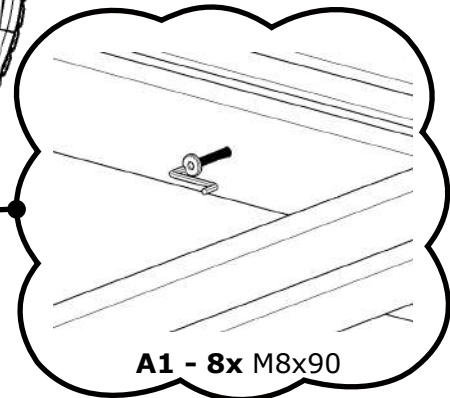
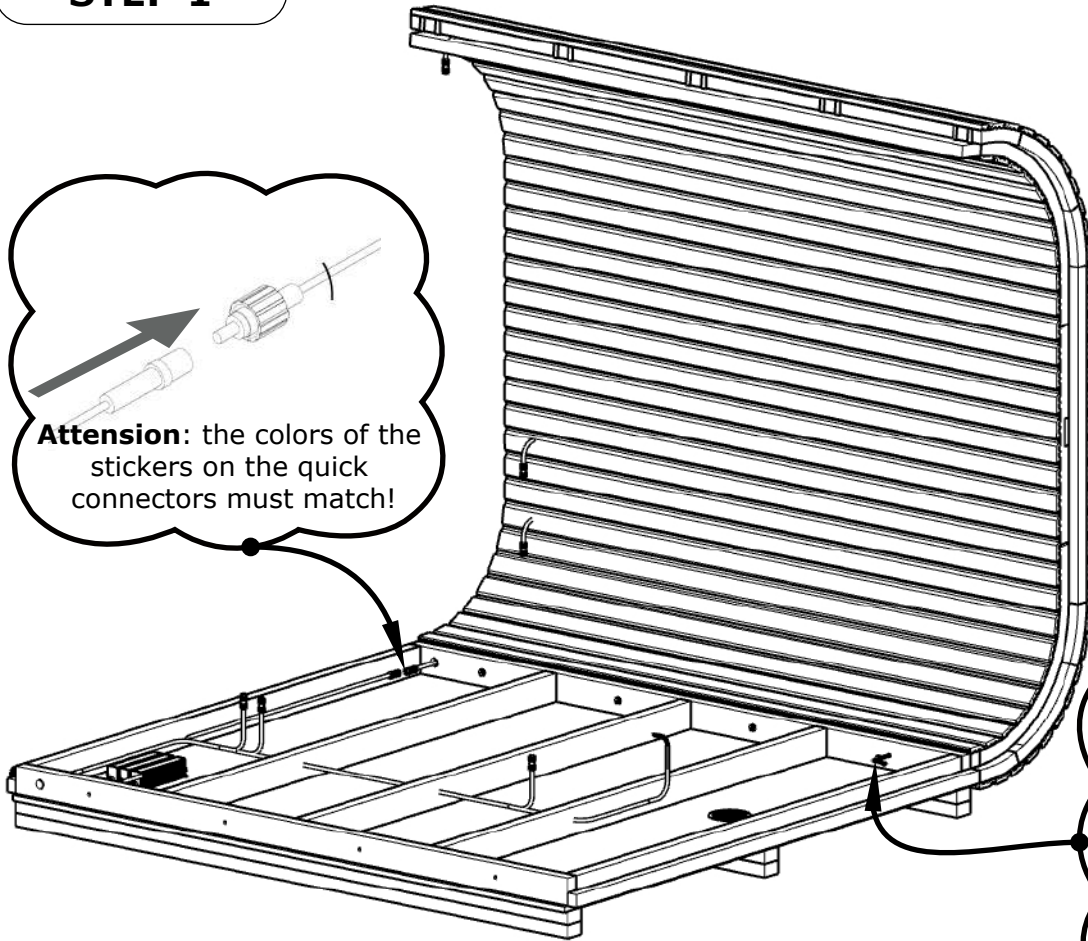
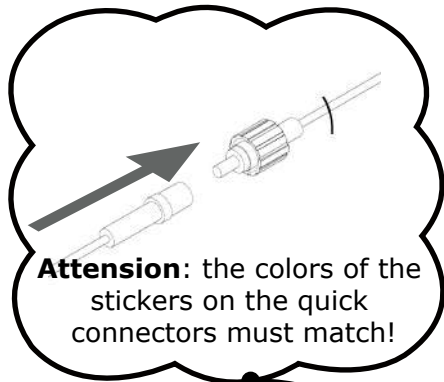
# List of component kits

No.	Detail	Pcs.	Dimensions	Used in steps
K-001		2	45x495x1707	13/14
		1	45x45x1745	
K-002		1	45x550x2320	15/16
		1	45x550x1160	
		1	100x550x550	
		1	100x550x550	
		3	45x45x450	
		1	16x90x1175	
		1	16x90x1760	
K-003		2	90x90x2320	17
		2	90x90x1700	
K-004		2	45x1175x495	18/19
		1	63x1175x550	
		1	18x90x1175	

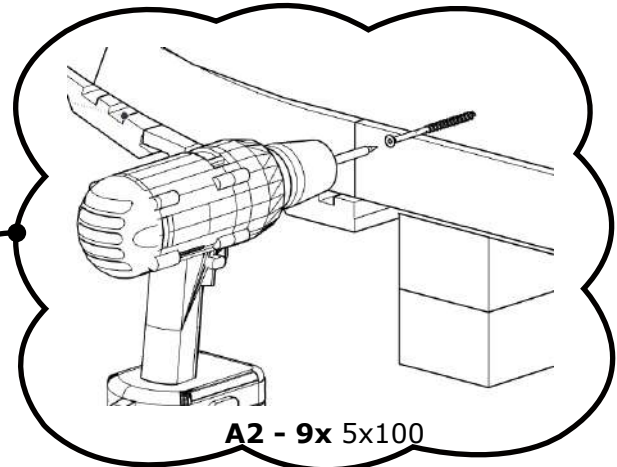
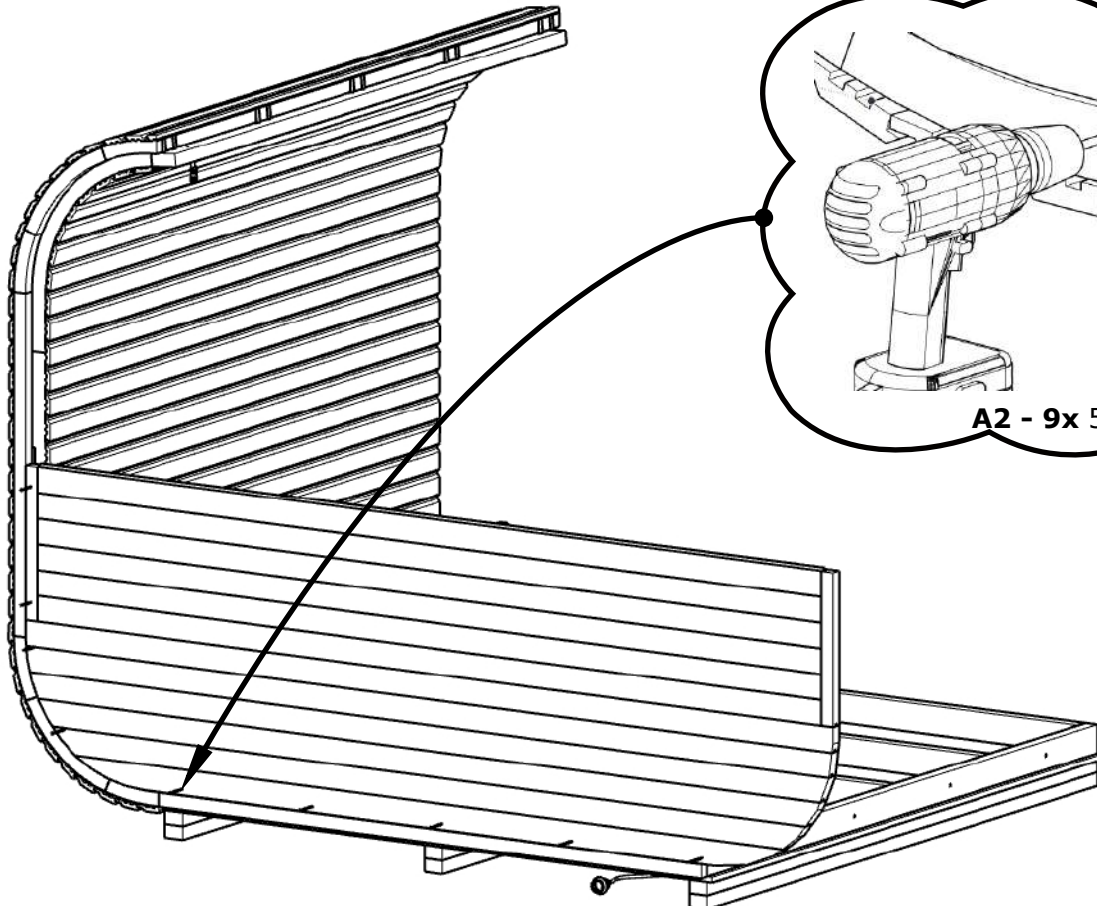
# List of component kits

No.	Detail	Pcs.	Dimensions	Used in steps
K-005		1	27x77x1059	21
		1	27x731x205	
		1	27x77x1131	
		1	27x185x645	
		1	27x77x1120	
K-006		1	21x85x1962	28
		2	21x170x2205	
		2	21x170x2095	
		4	21x290x845	
		4	21x275x763	
		4	21x170x1145	
K-007		2	18x90x2090	29
		2	18x90x2348	
K-008		1	63x580x890	30
		2	63x500x524	
		1	18x95x600	
		2	18x95x534	
		21	Screw 4x60	
		2	9x1200x1275	Cut according heater assembly instruction

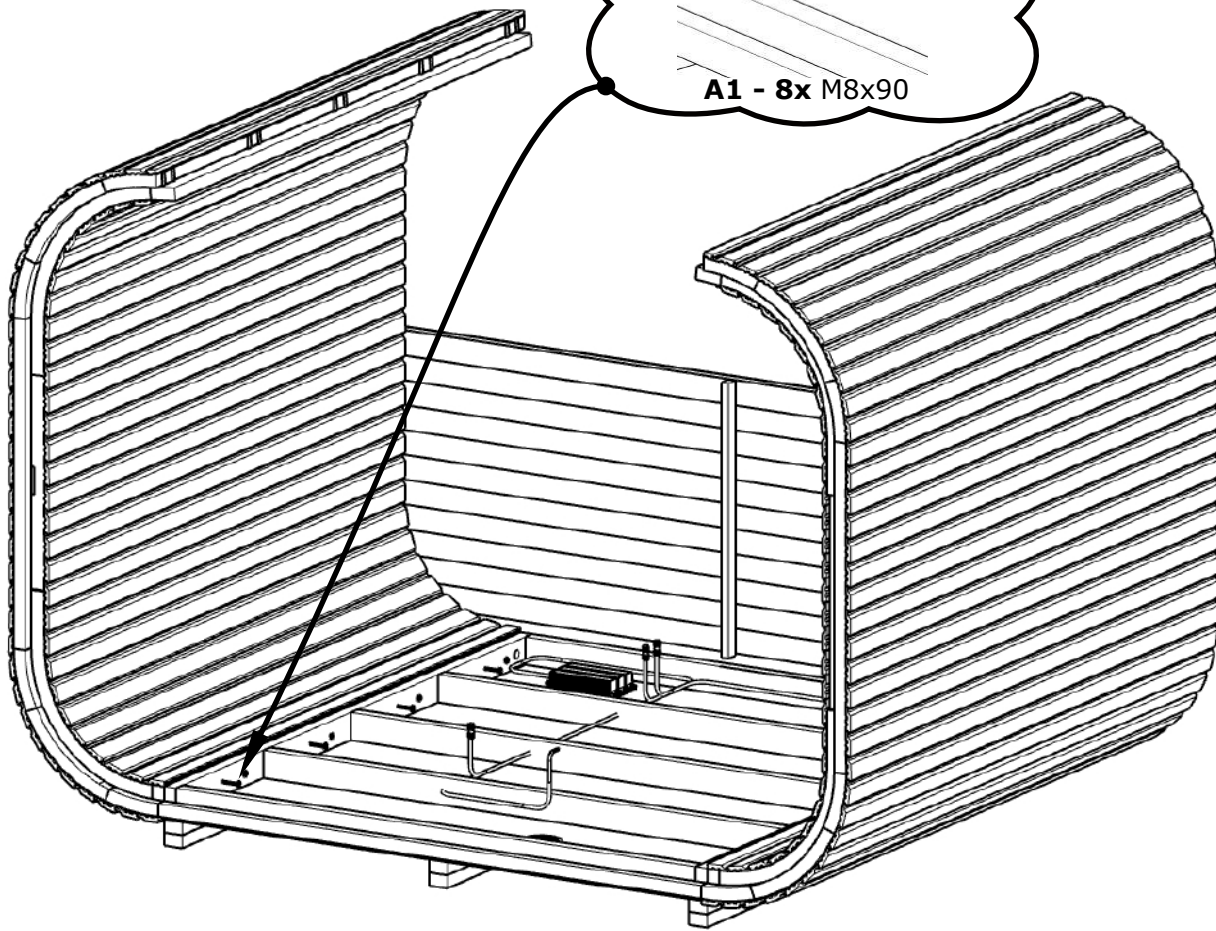
## STEP 1



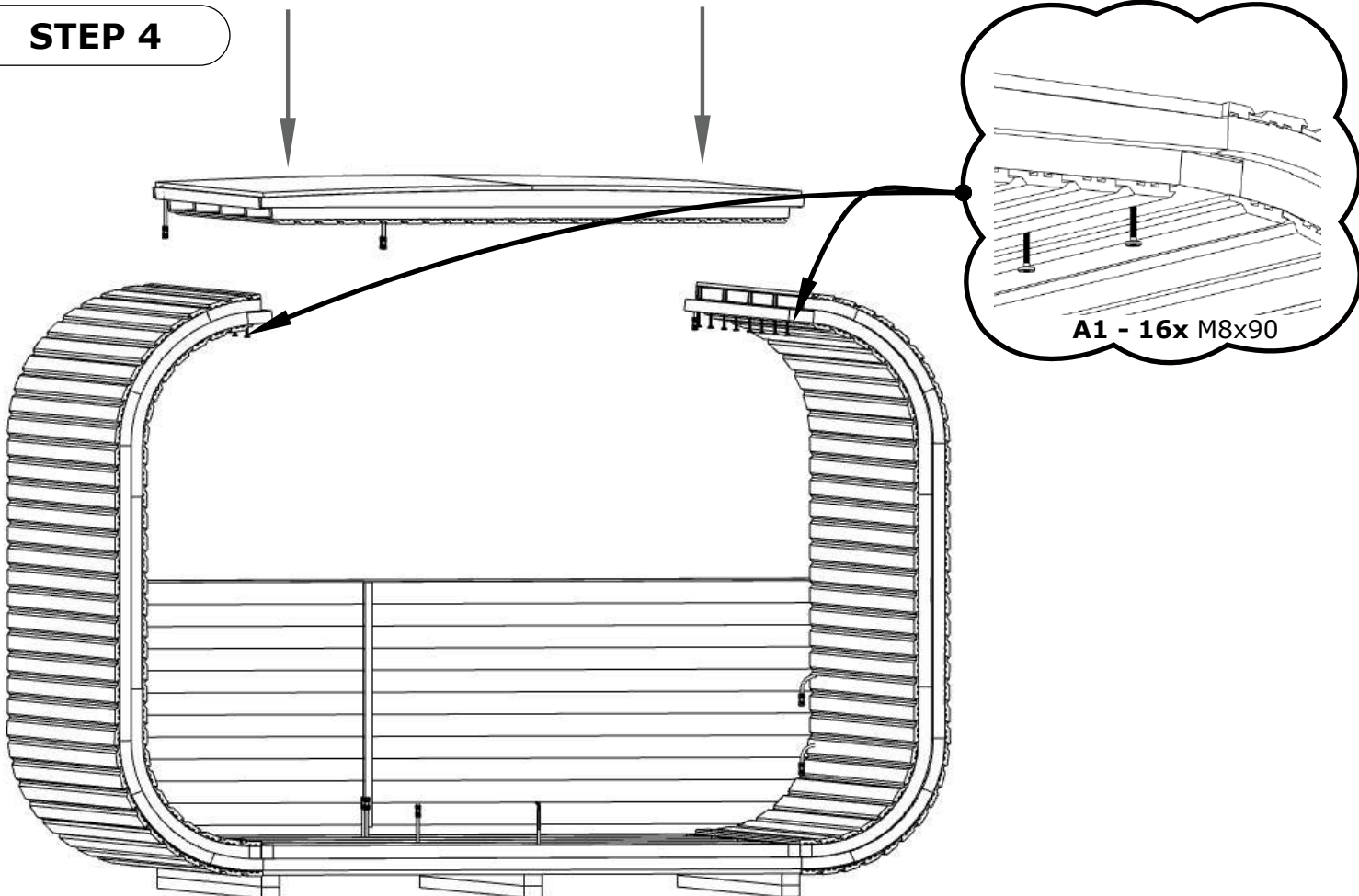
## STEP 2



**STEP 3**

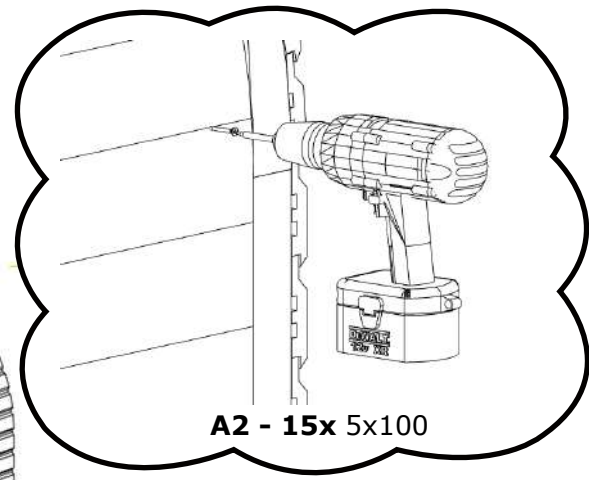
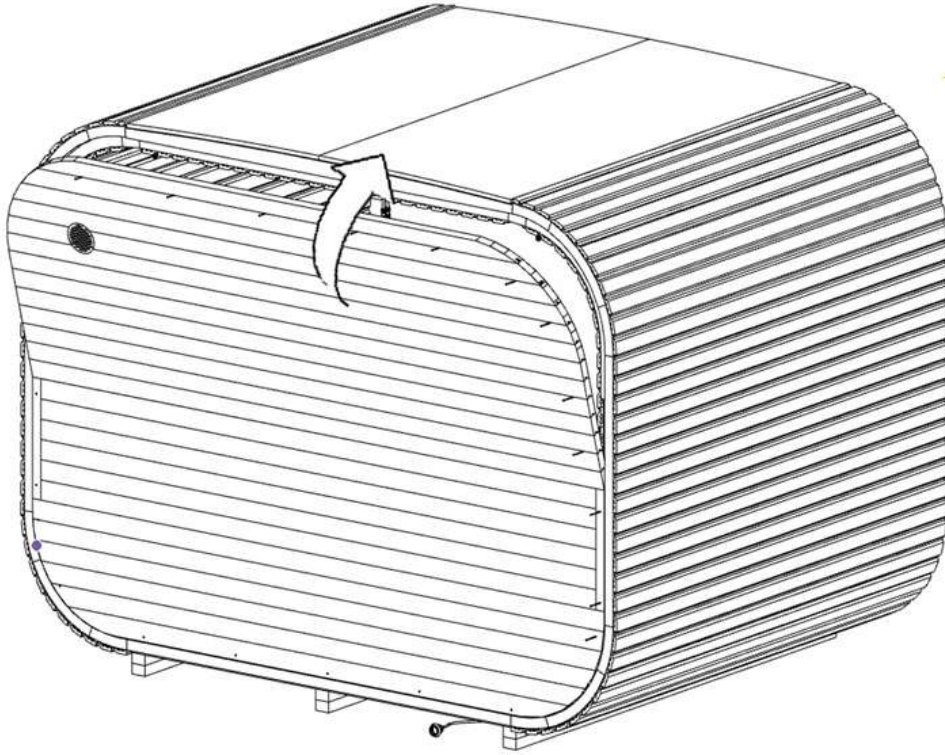


**STEP 4**



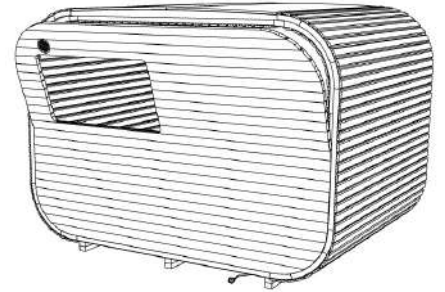


**STEP 5**

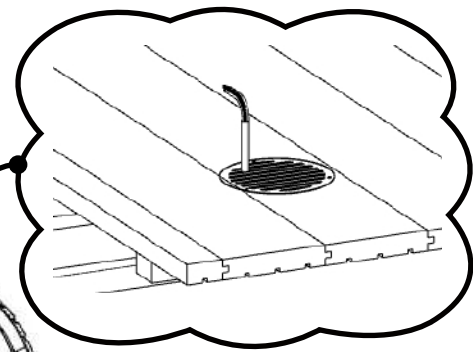
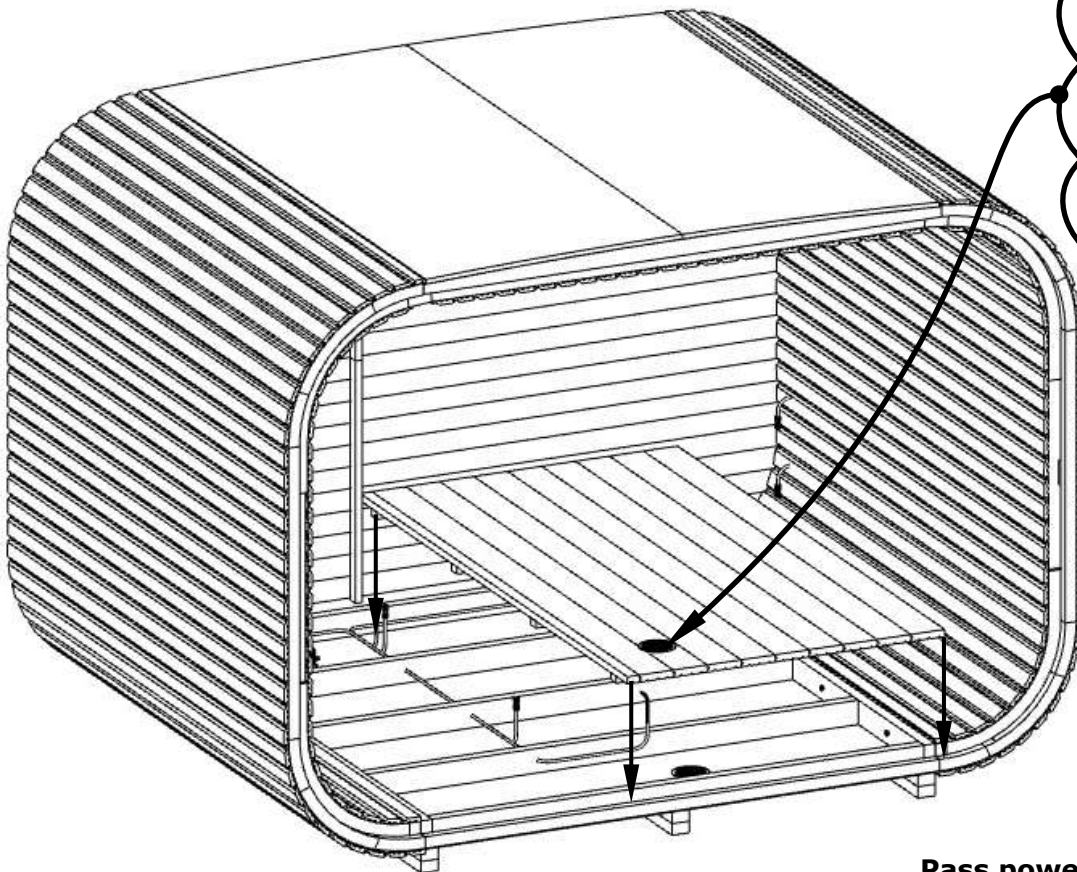


**A2 - 15x 5x100**

**View, when panel selected with a window**

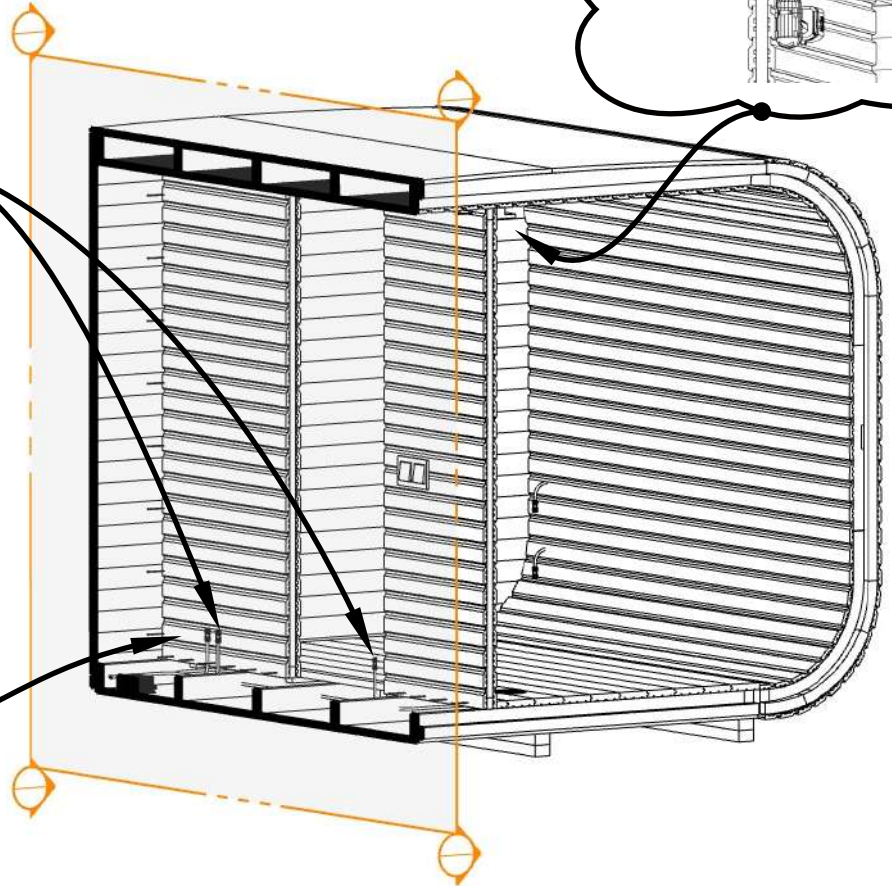
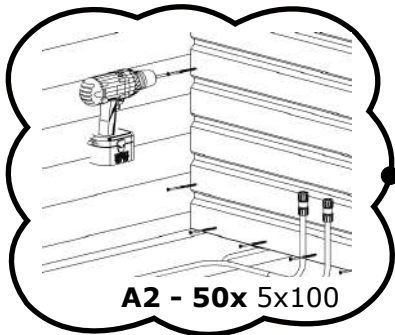
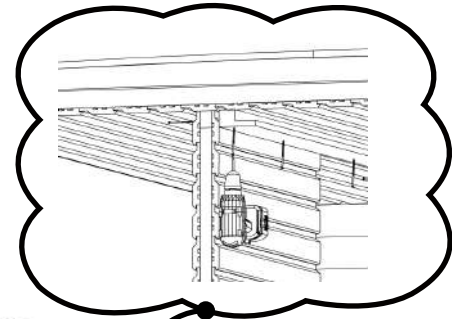
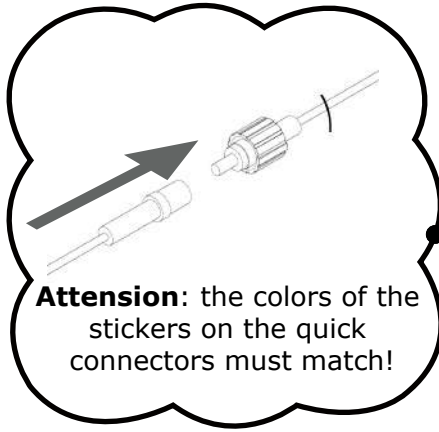


**STEP 6**

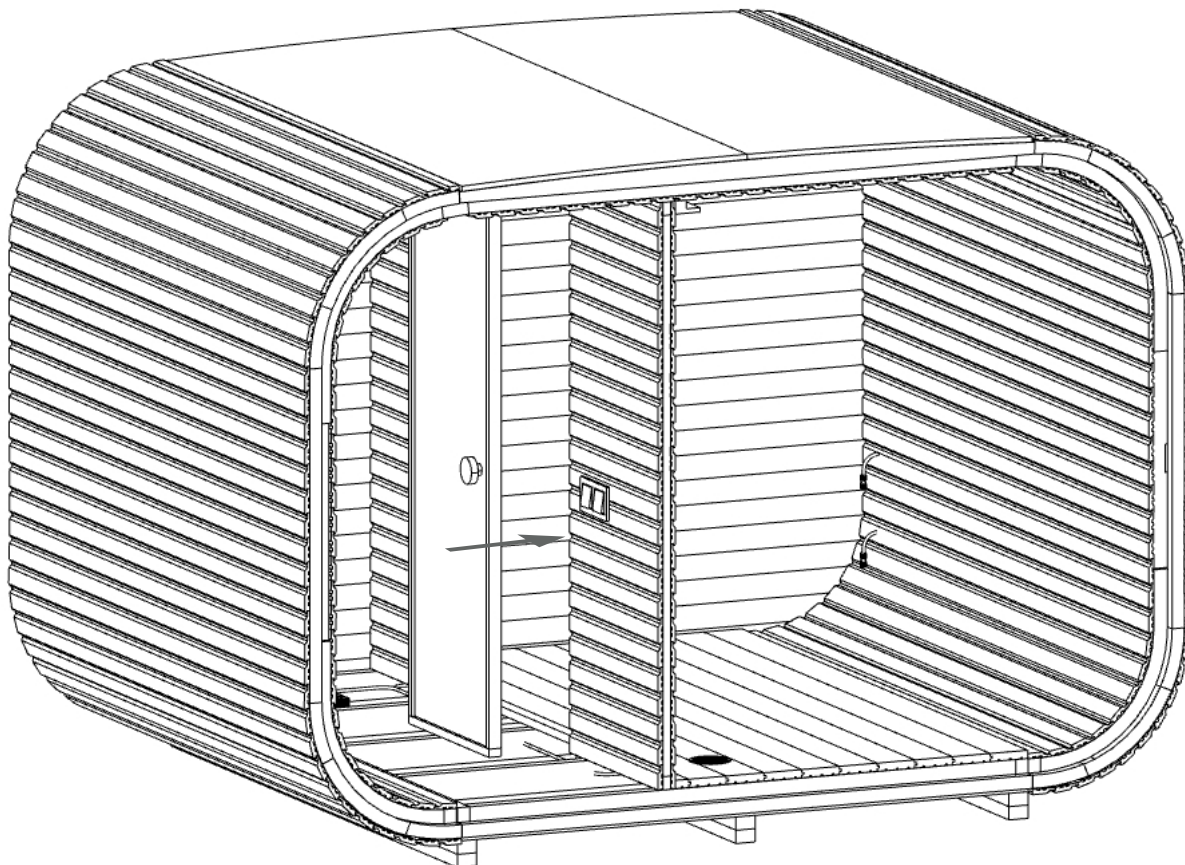


**Pass power cable (RED LABEL) through the ventilation  
\*FOR ELECTRIC HEATERS**

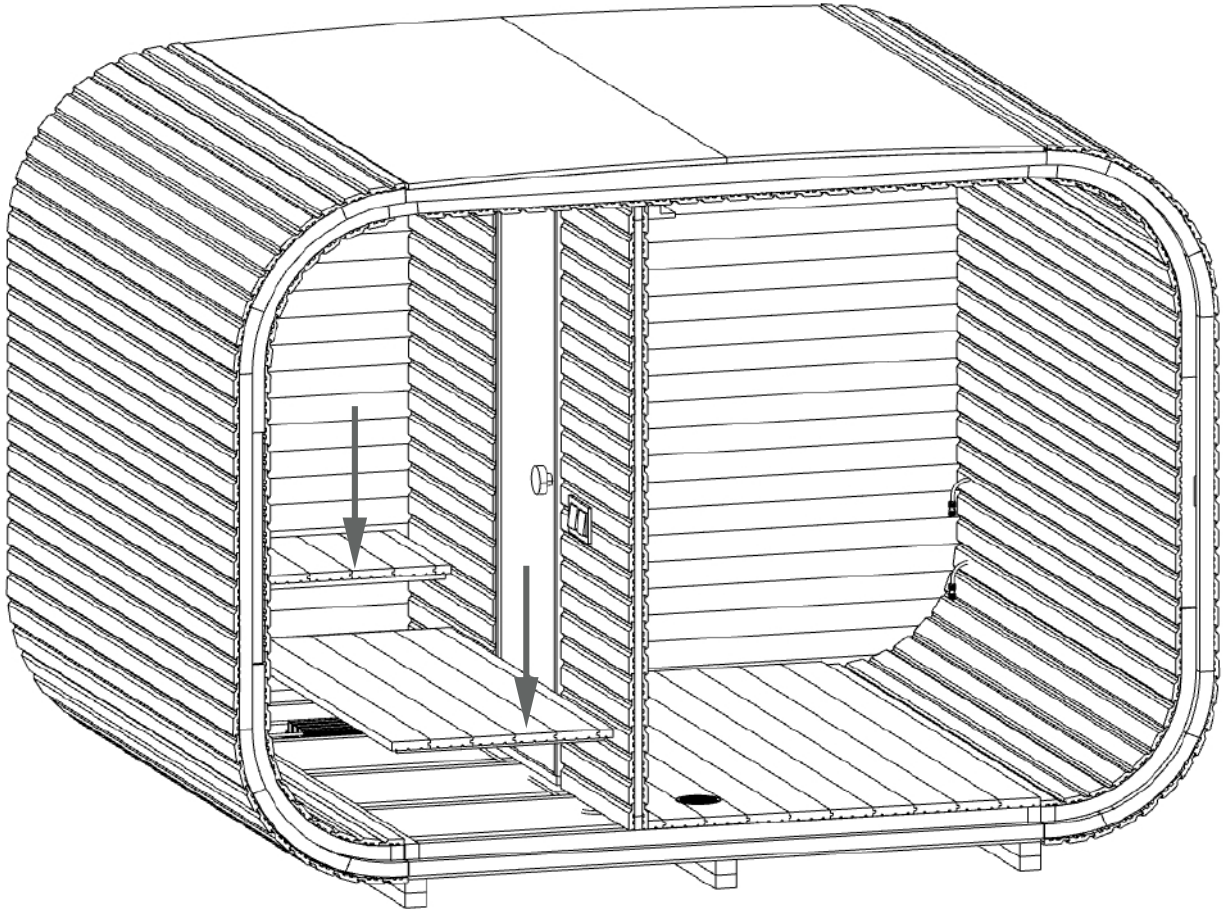
## STEP 7



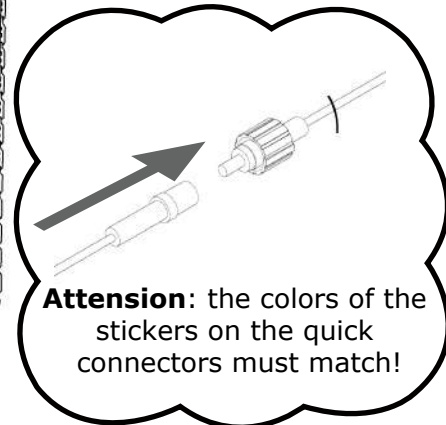
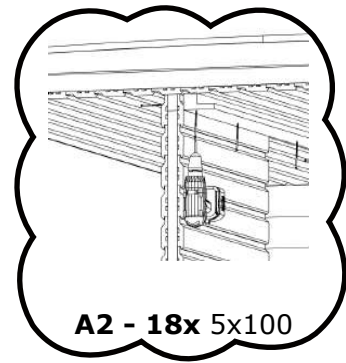
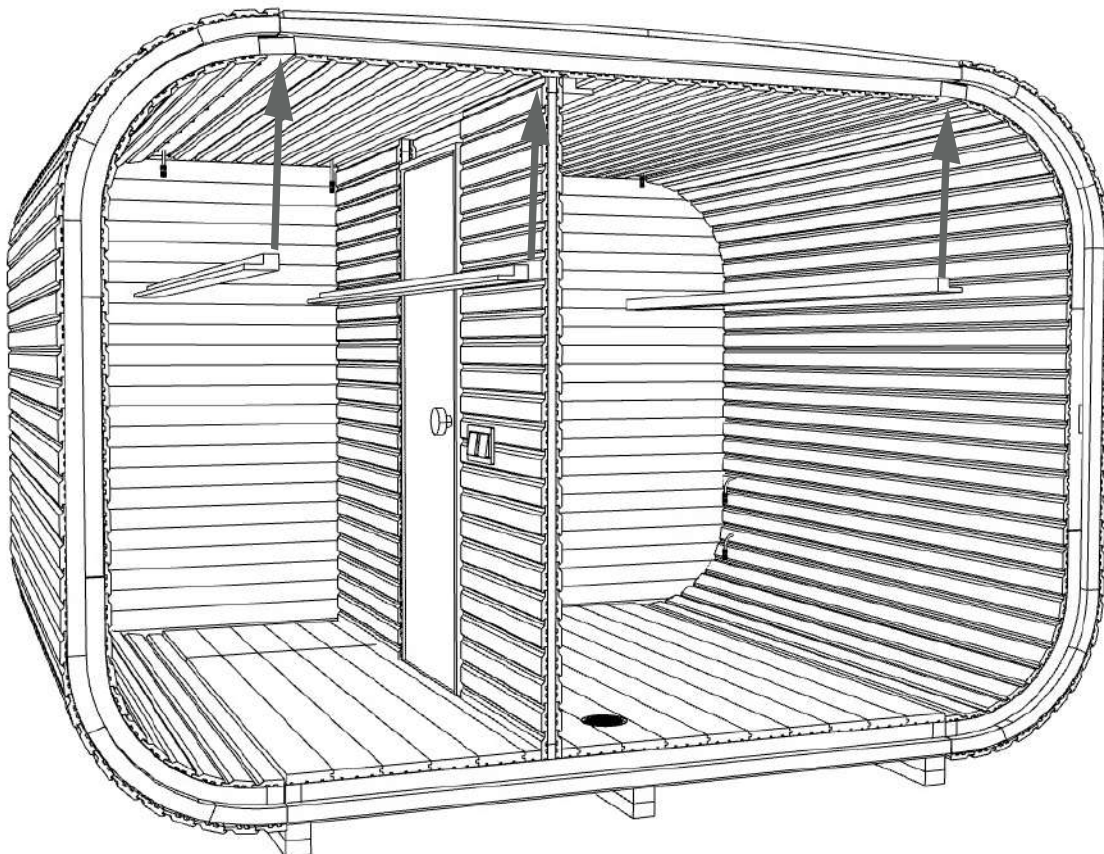
## STEP 8



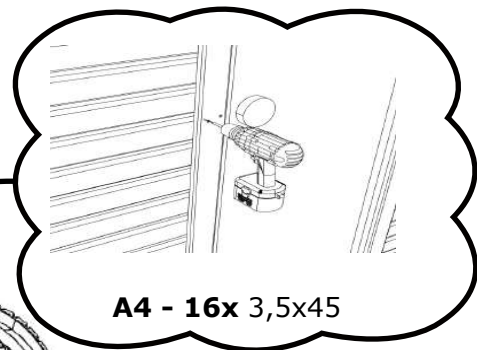
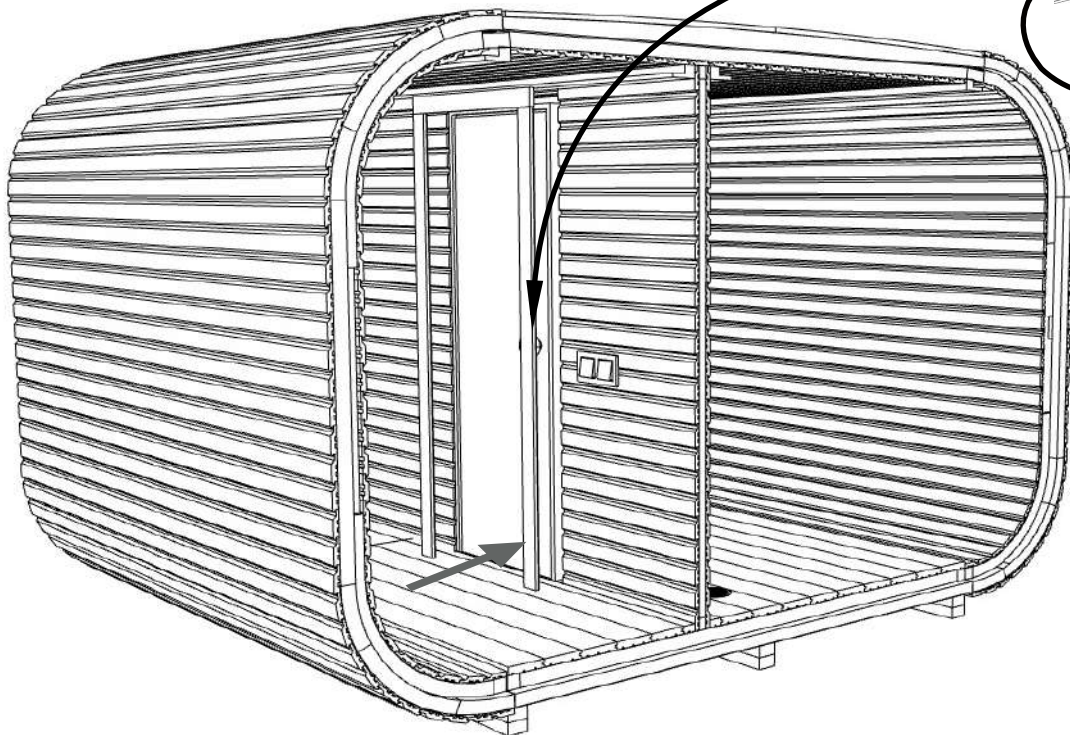
## STEP 9



## STEP 10

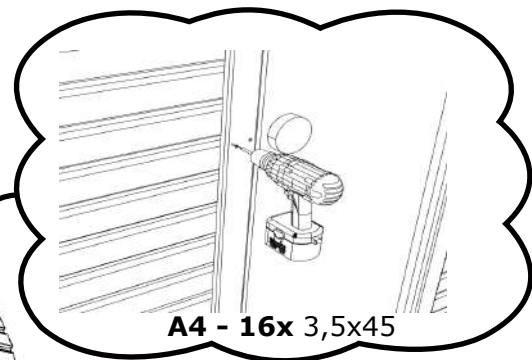
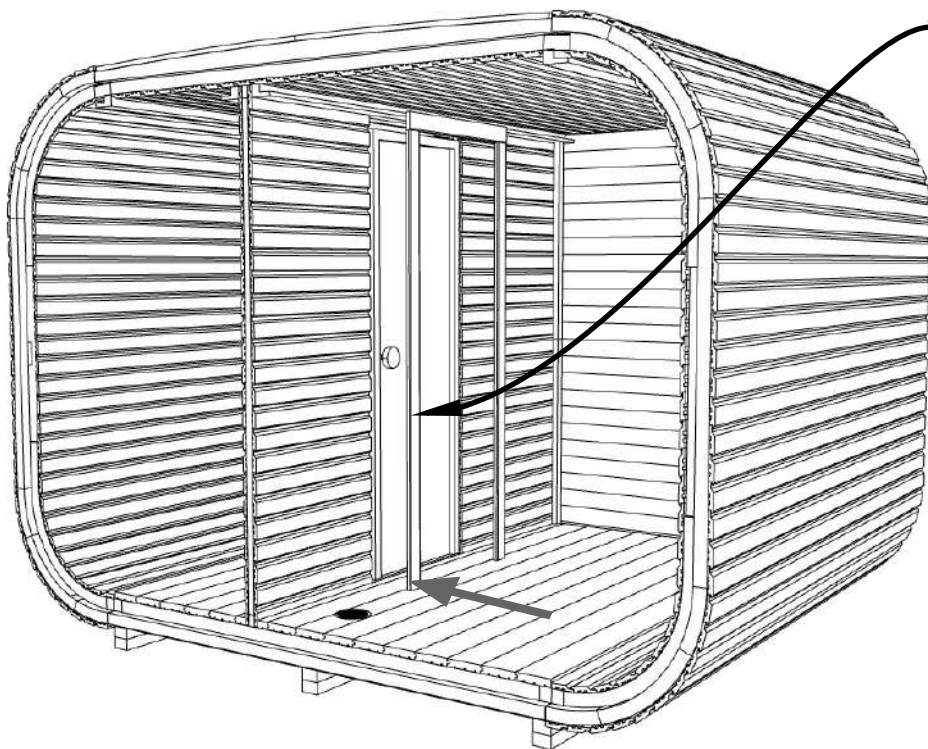


**STEP 11**



**A4 - 16x 3,5x45**

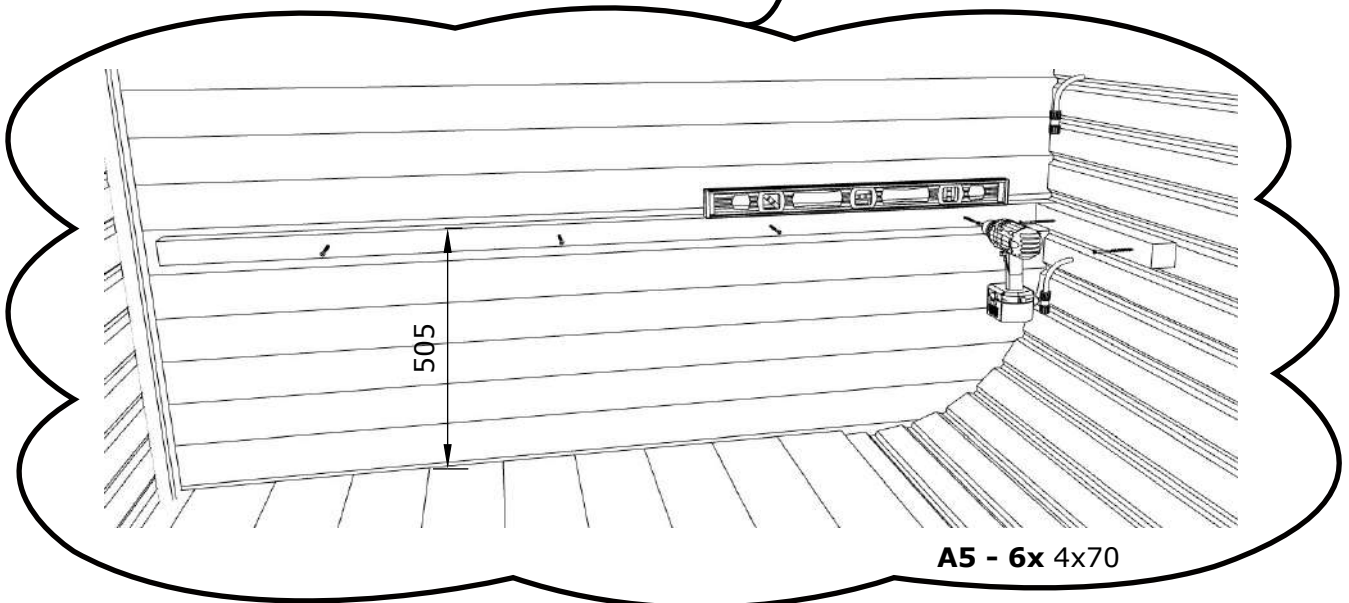
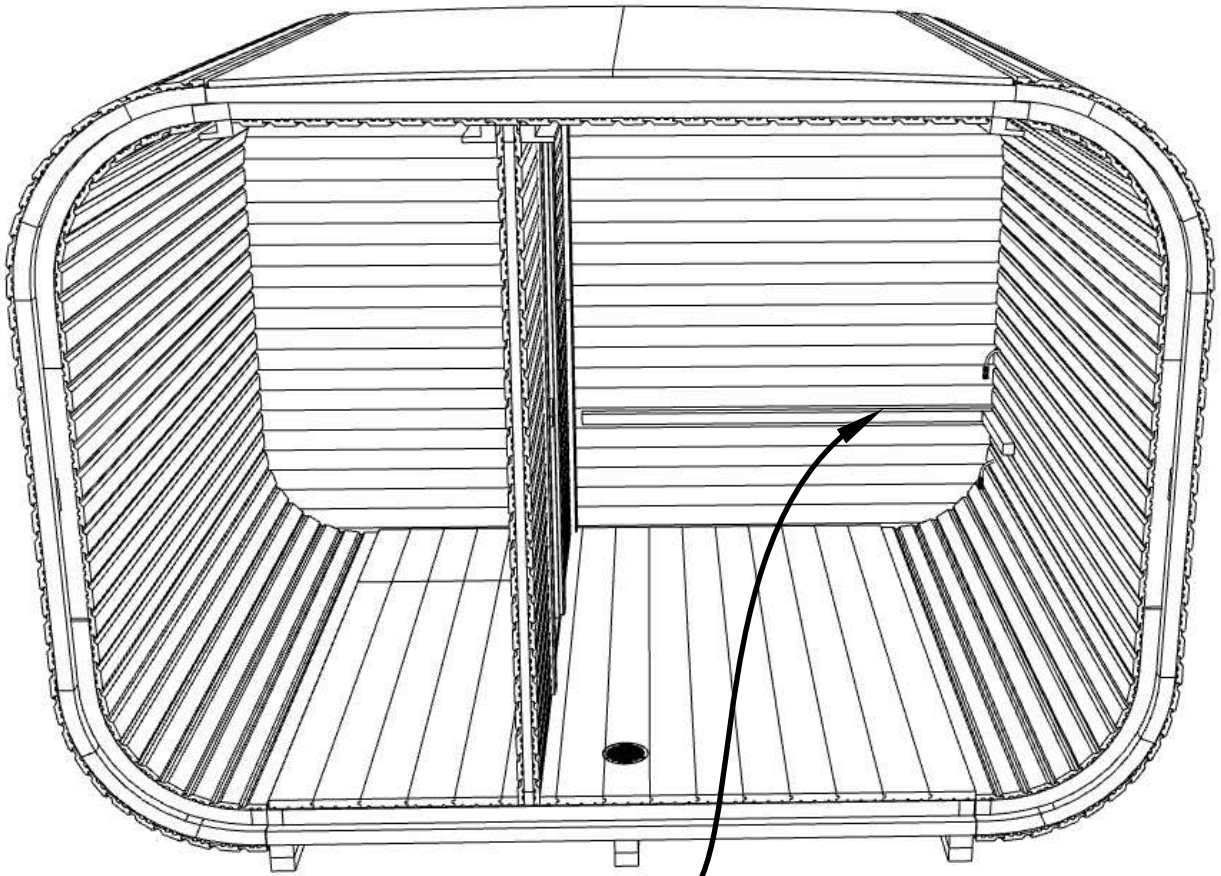
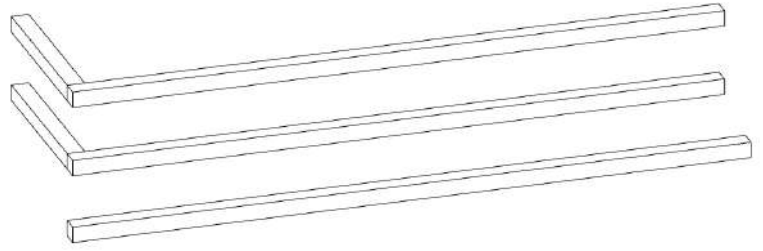
**STEP 12**



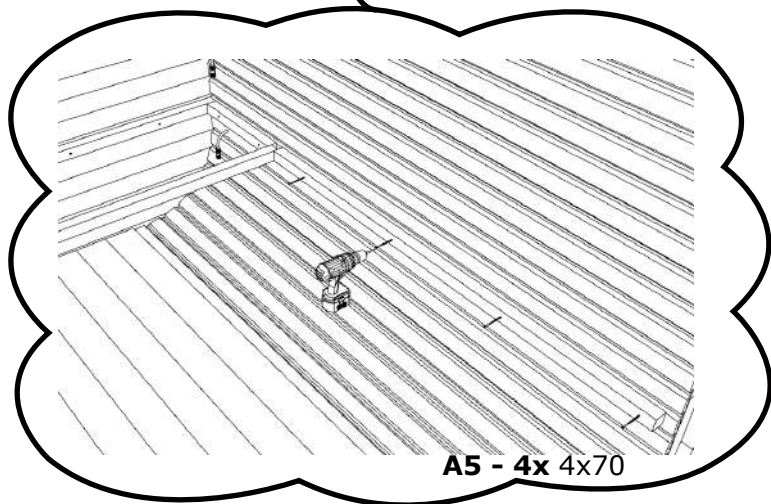
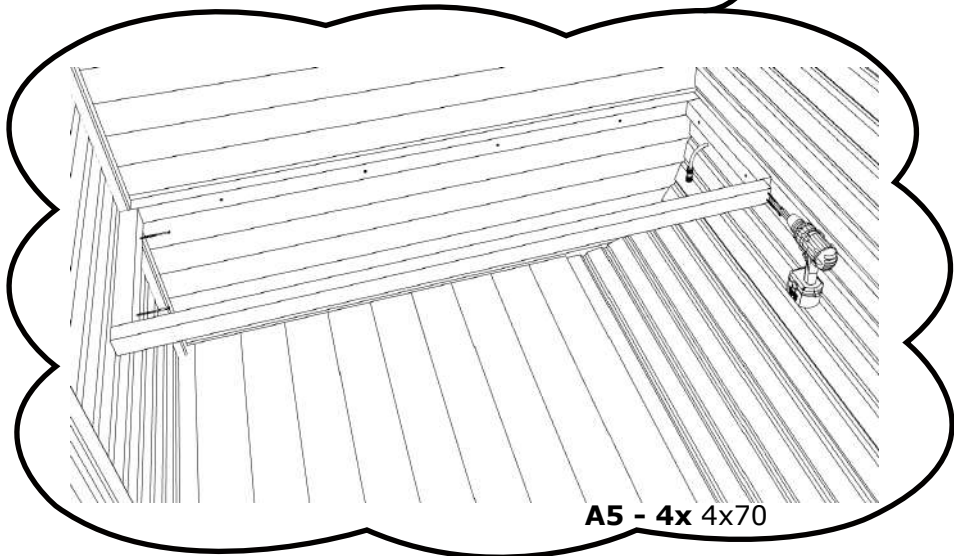
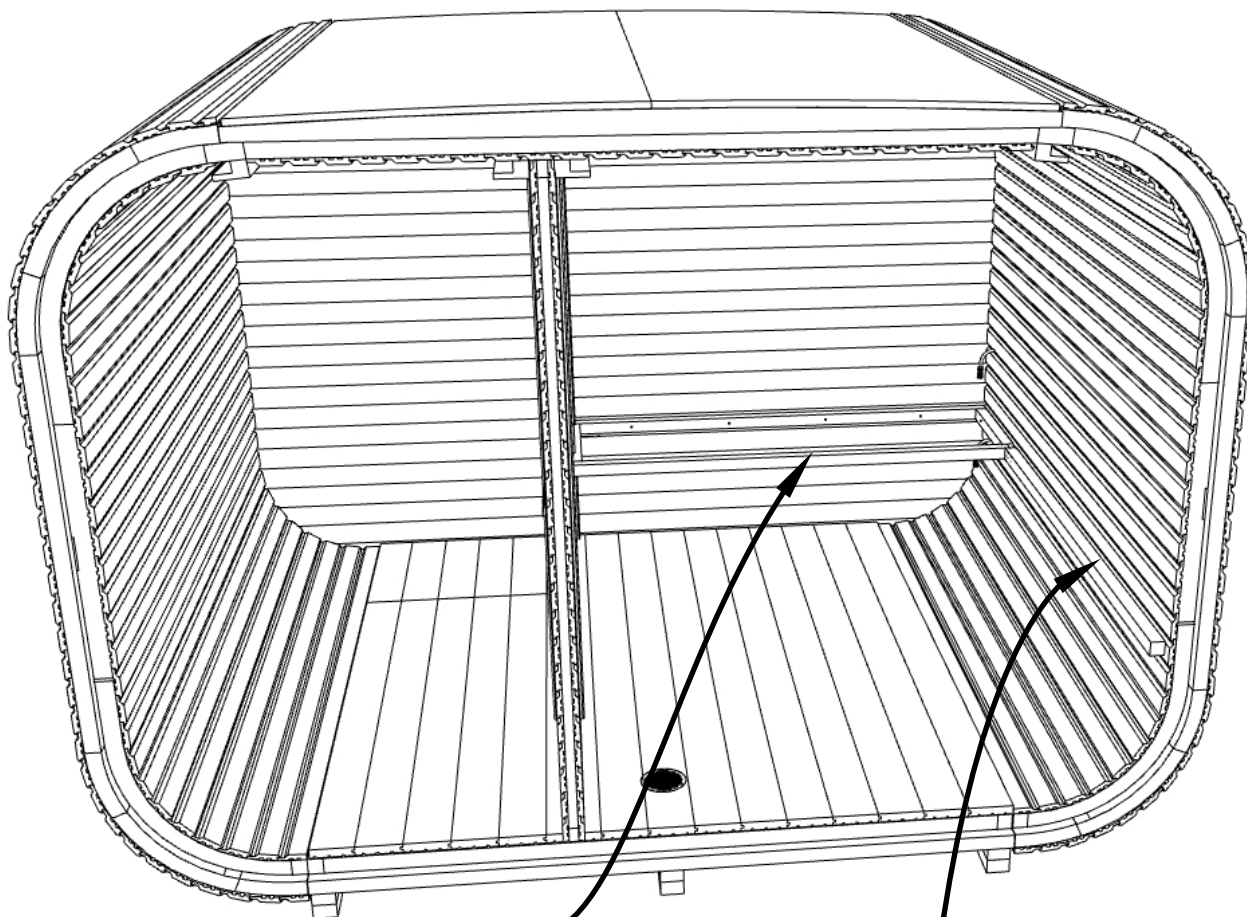
**A4 - 16x 3,5x45**

**STEP 13**

**K-001**

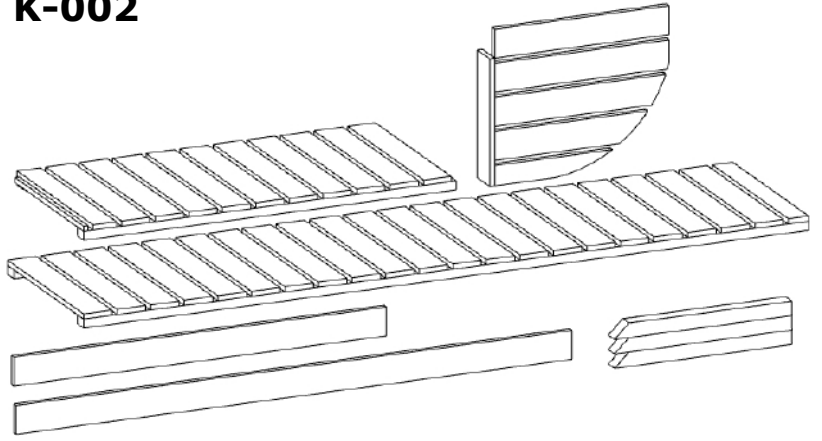


**STEP 14**

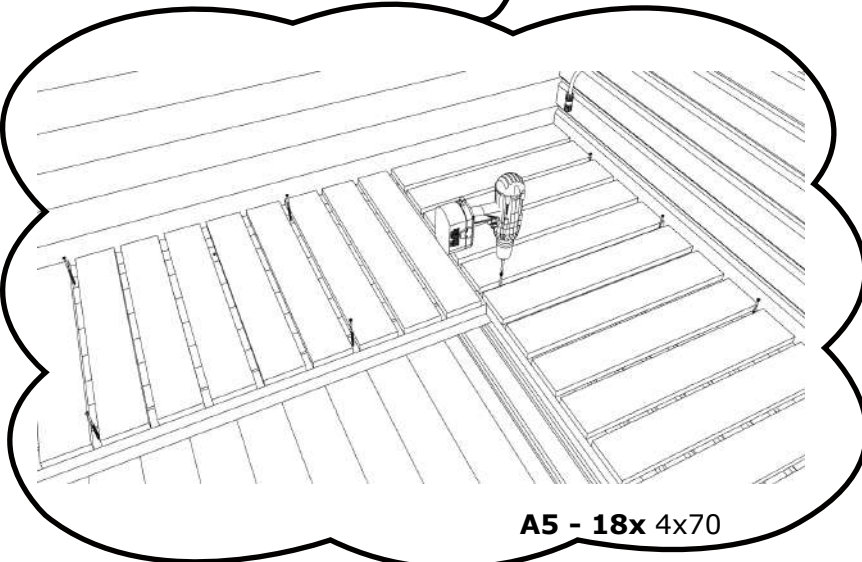
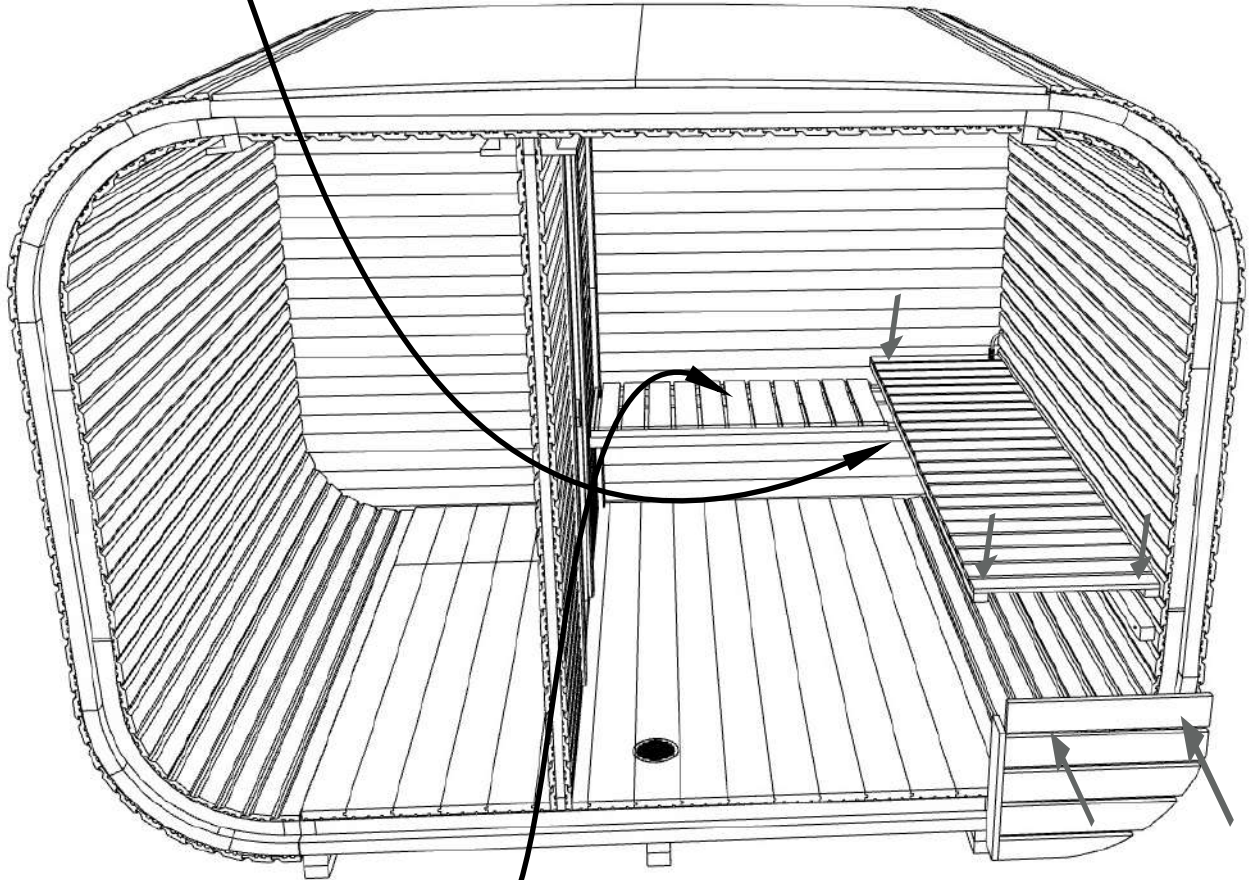


**STEP 15**

**K-002**

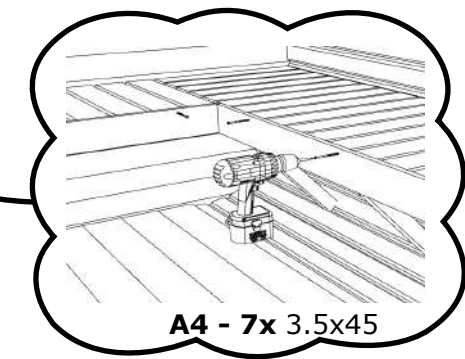
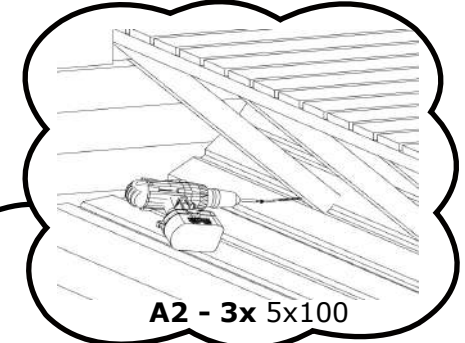
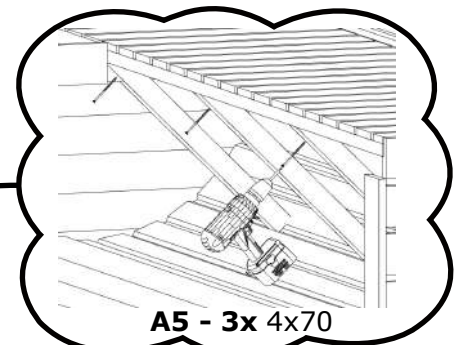
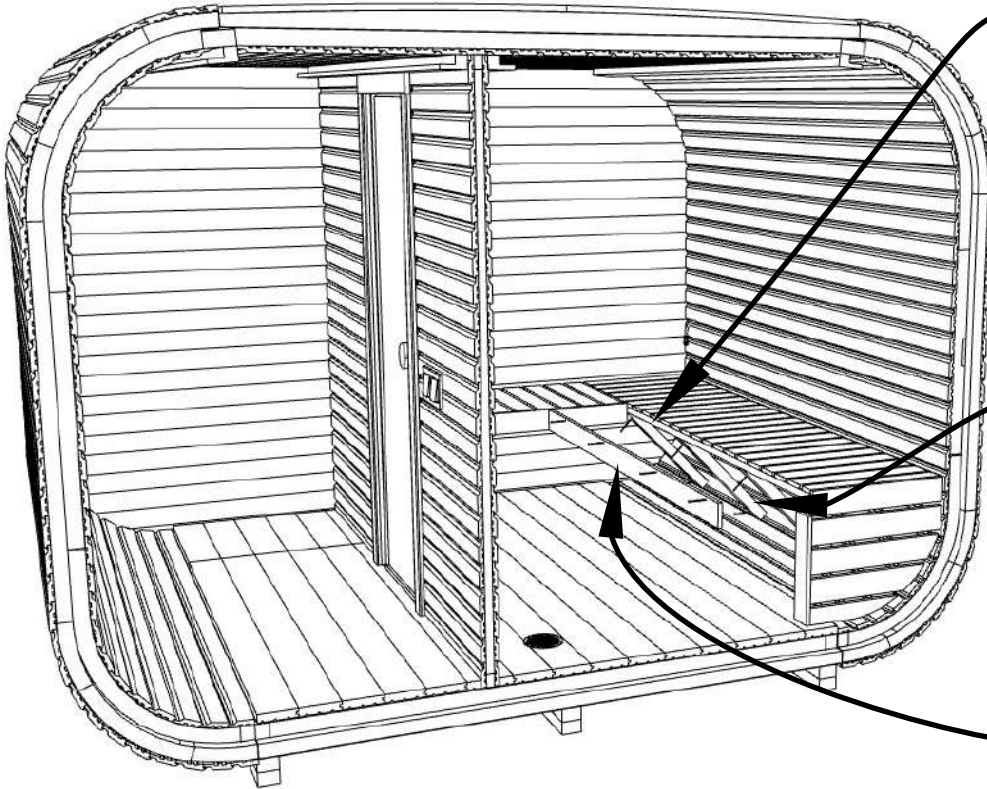


**Attention:** the colors of the stickers on the quick connectors must match!

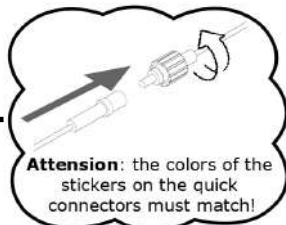


**A5 - 18x 4x70**

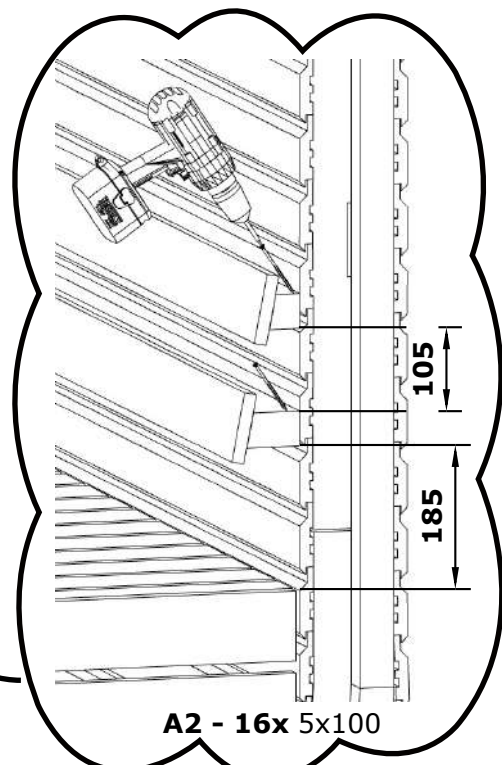
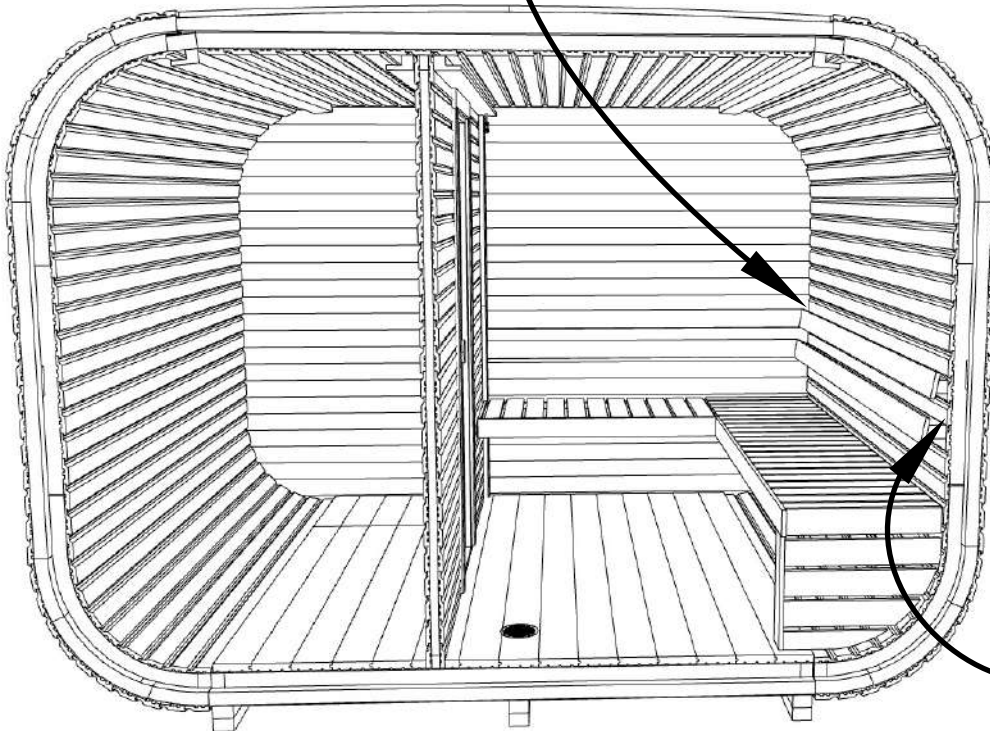
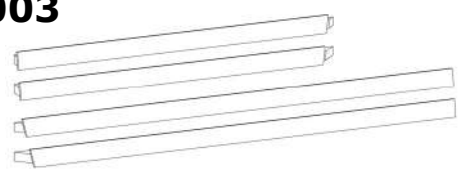
# STEP 16



# STEP 17

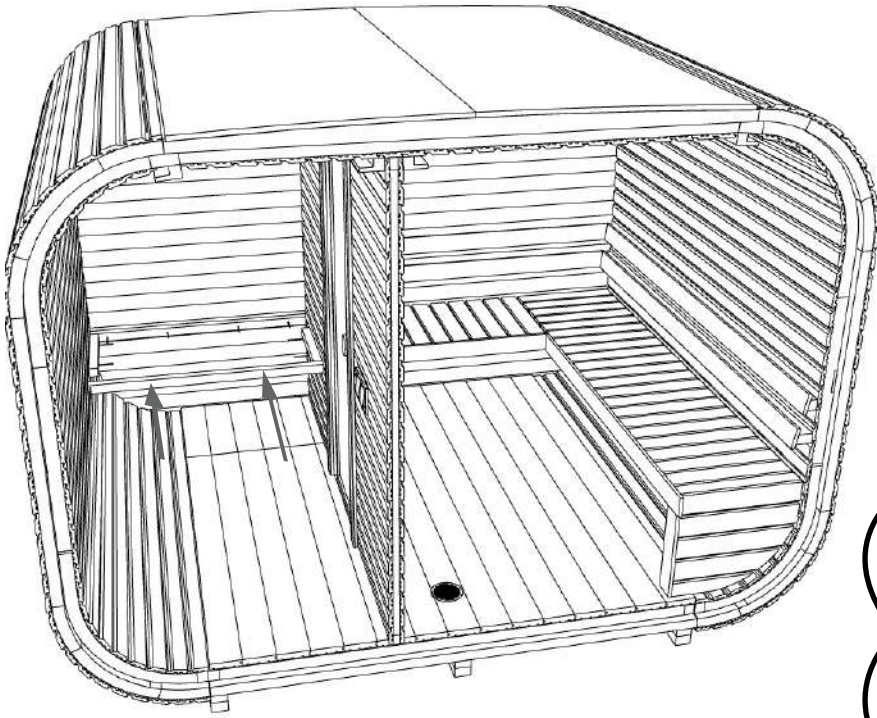


## K-003

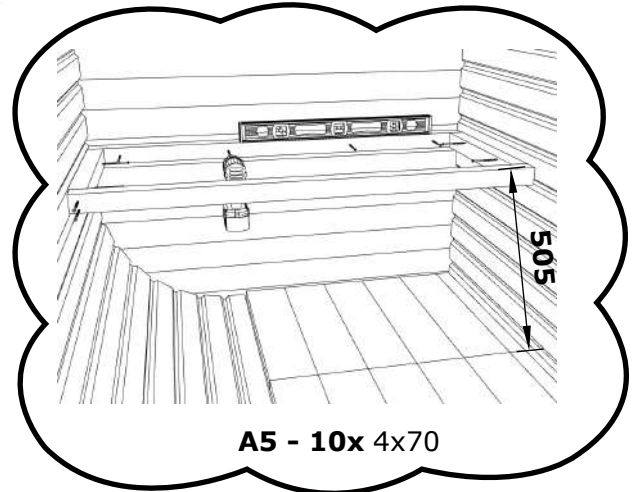
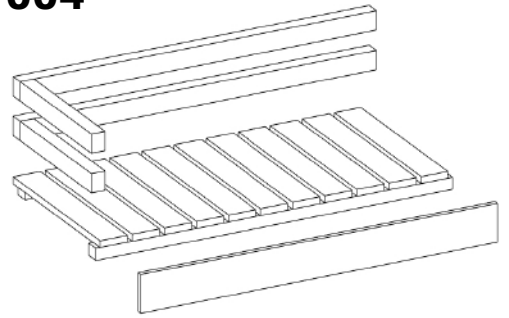




**STEP 18**

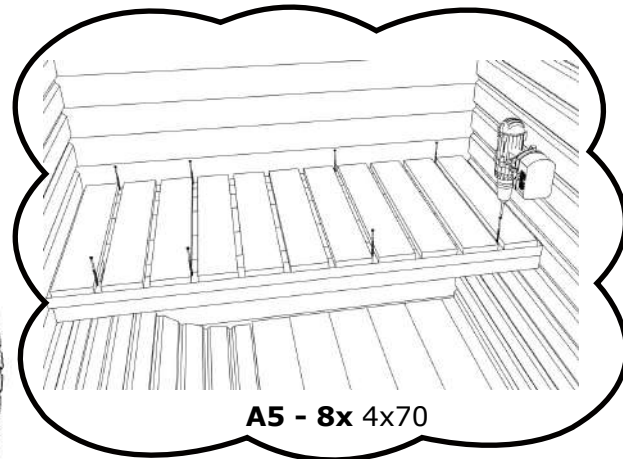
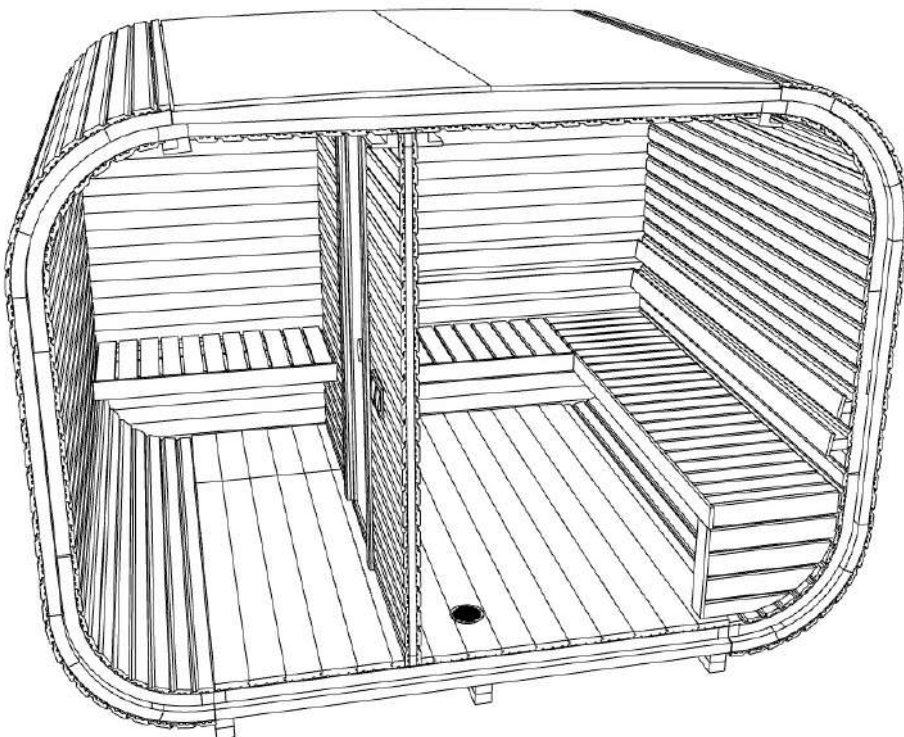


**K-004**

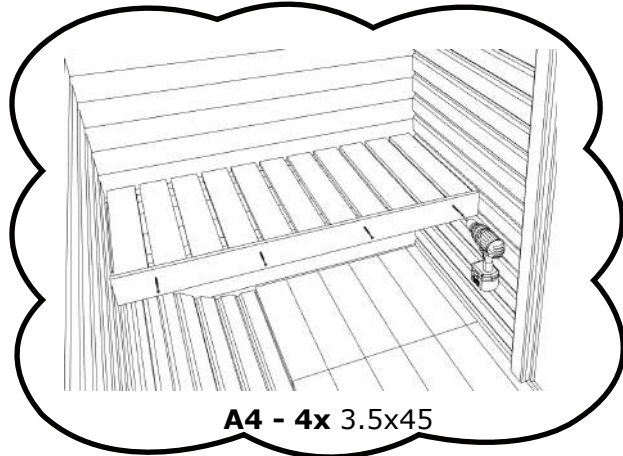


**A5 - 10x 4x70**

**STEP 19**

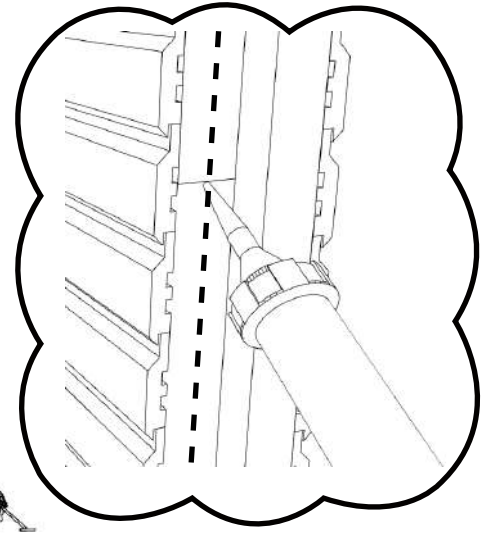
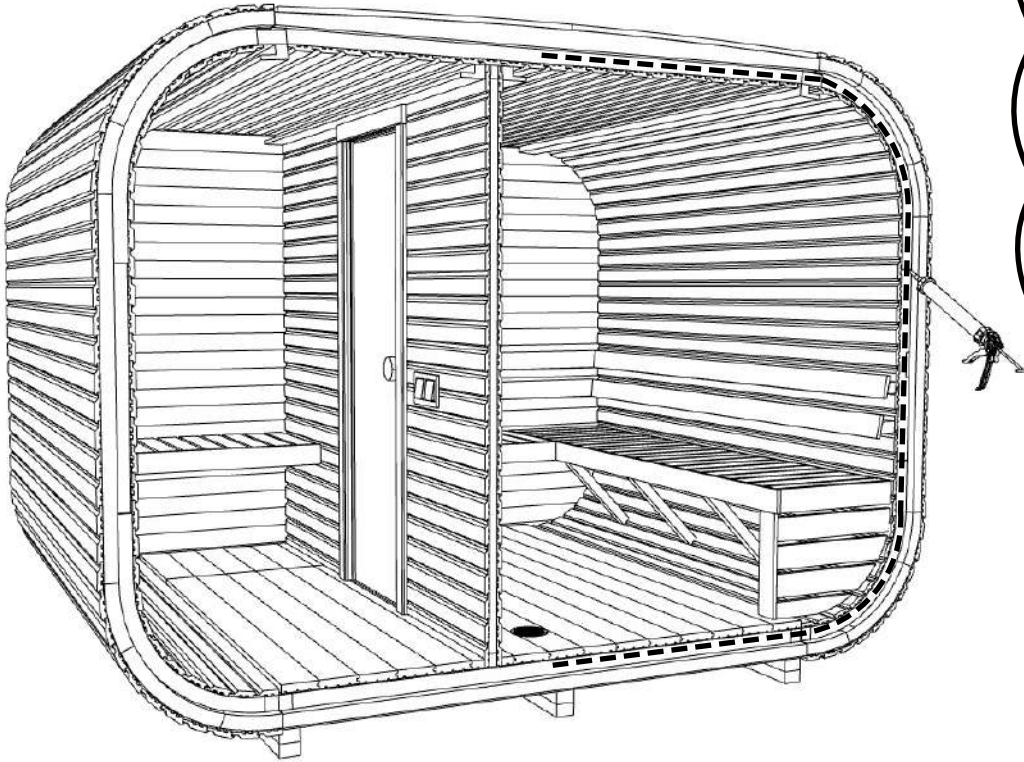


**A5 - 8x 4x70**

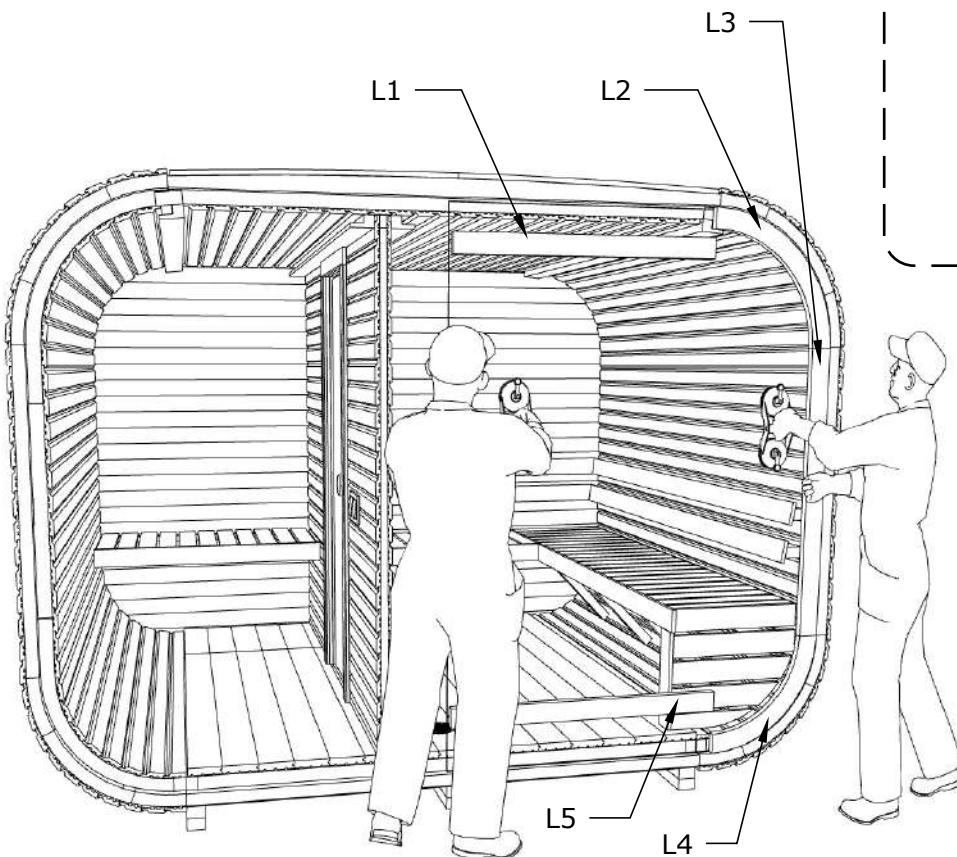


**A4 - 4x 3.5x45**

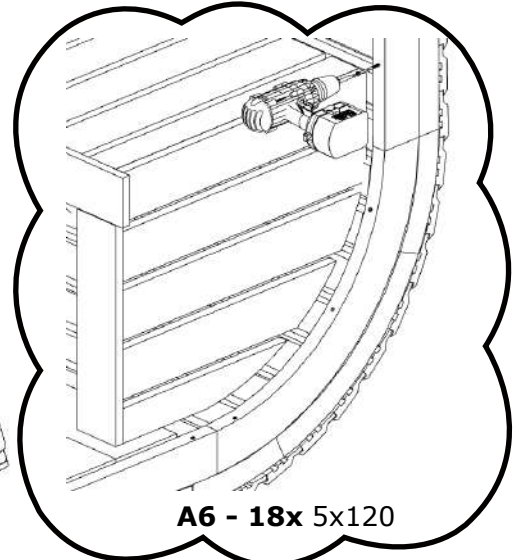
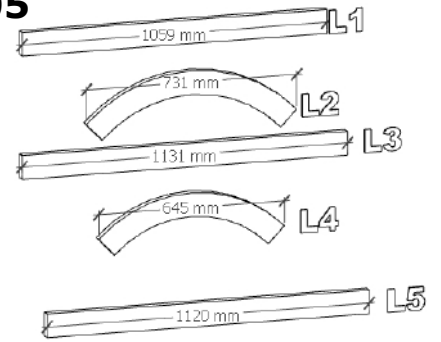
## STEP 20



## STEP 21

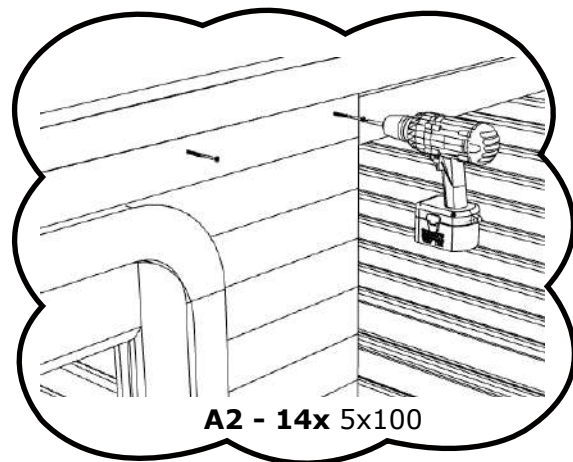
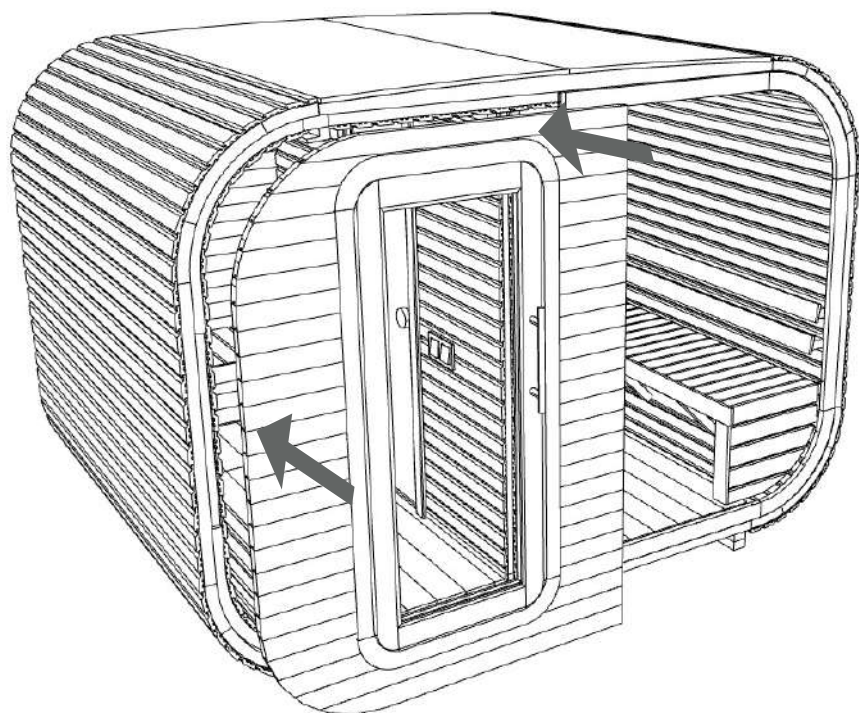


**K-005**



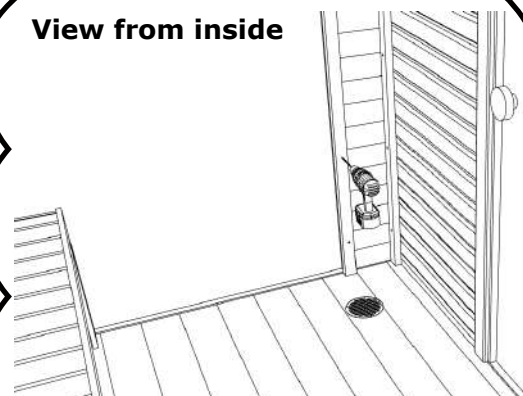
**Attention:** hold the glass until you screw the retaining parts!

## STEP 22



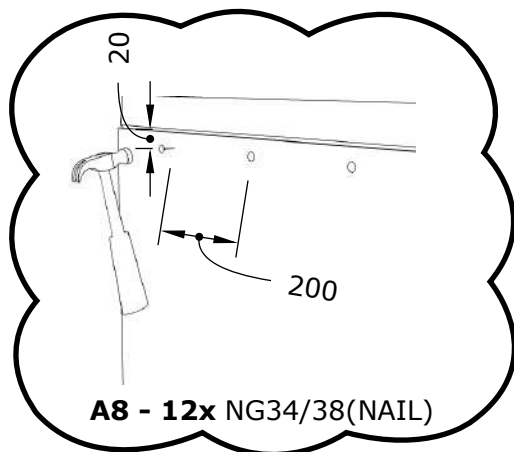
**A2 - 14x 5x100**

**View from inside**

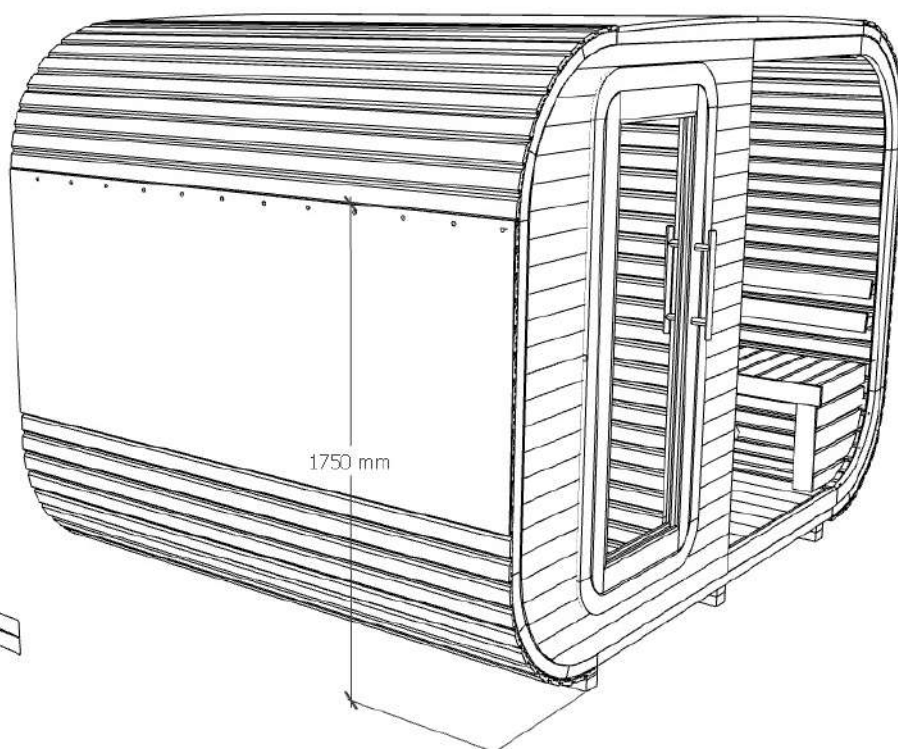
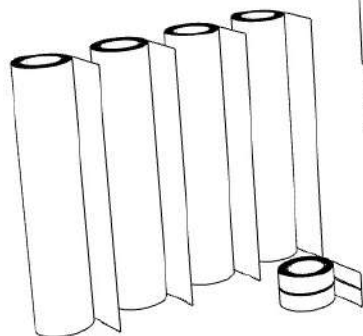


**A7 - 12x 5x60**

## STEP 23

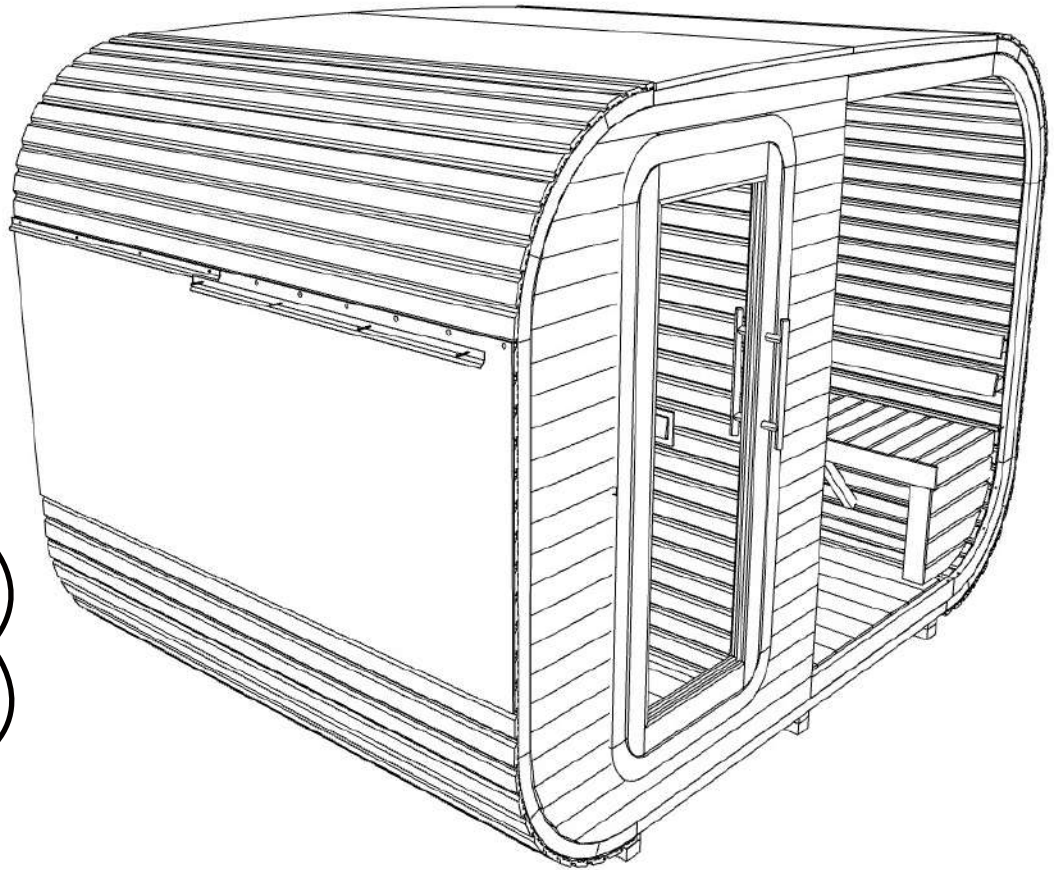
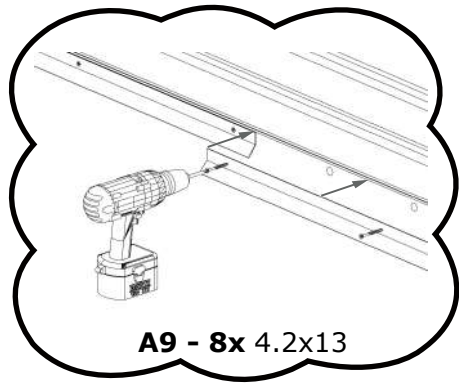


**A8 - 12x NG34/38(NAIL)**



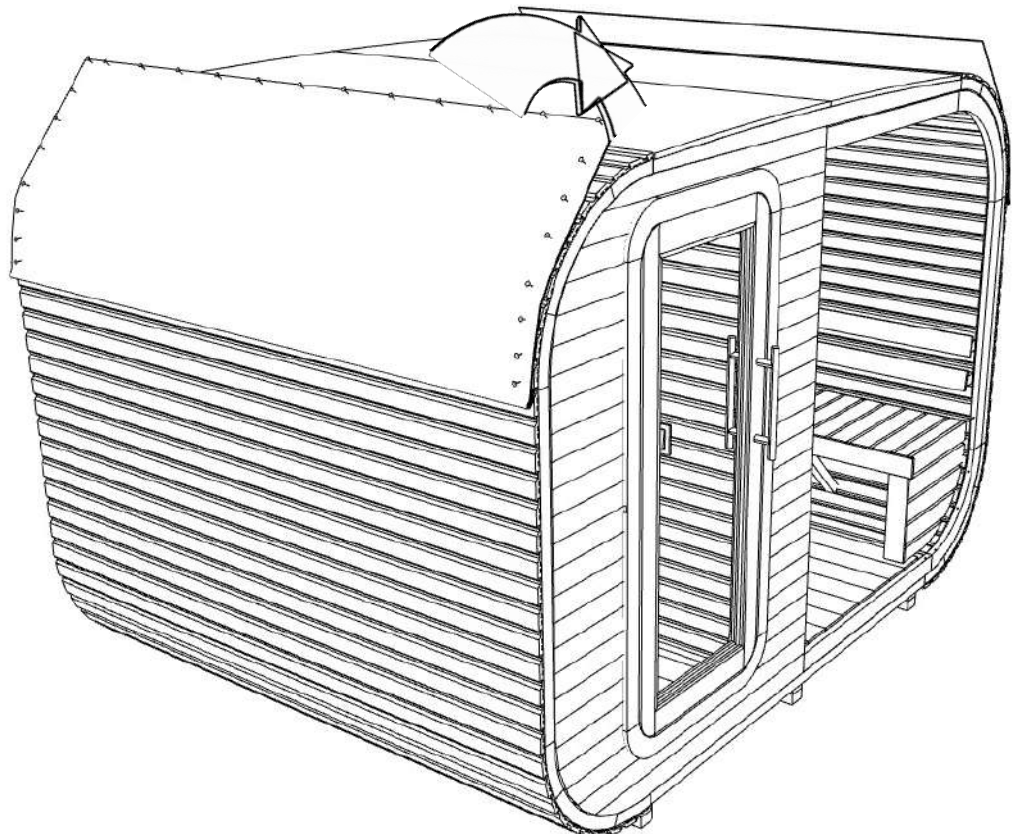
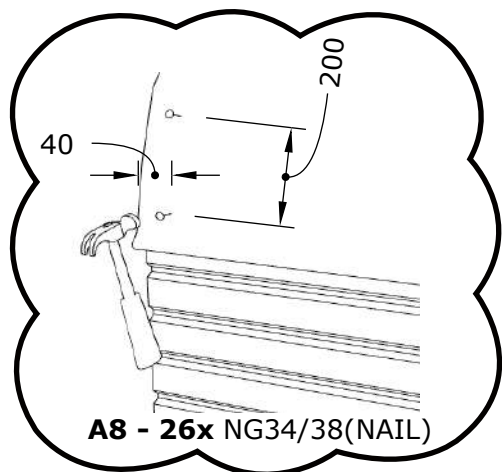
**Attention:** repeat the action on both sides of the sauna

## STEP 24



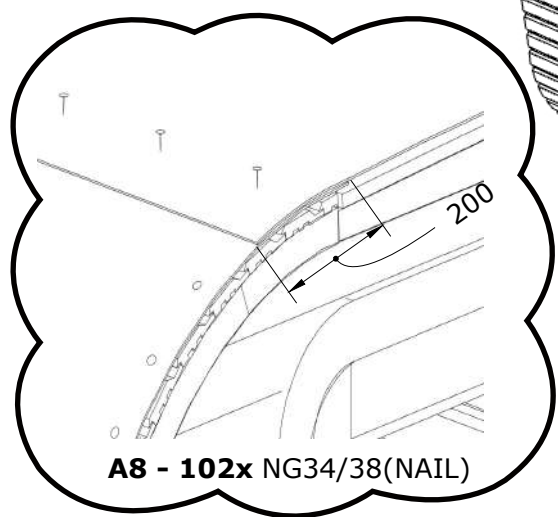
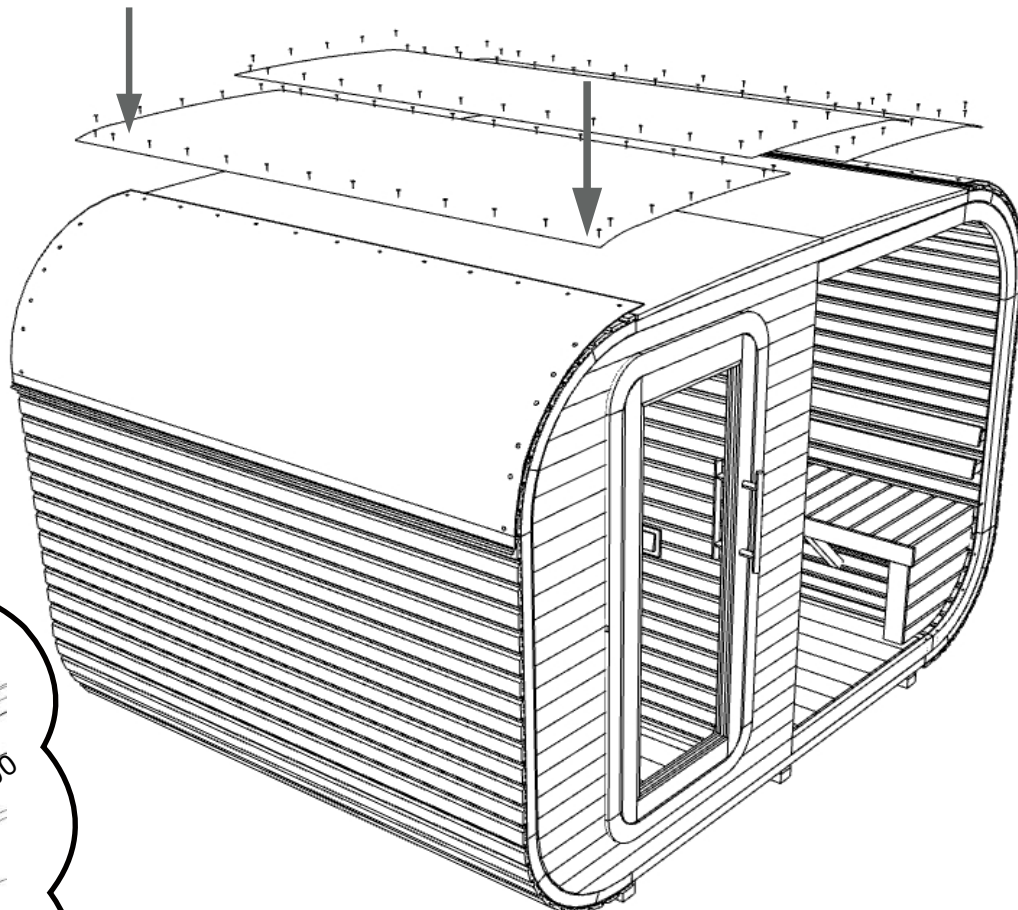
**Attention:** repeat the action on both sides of the sauna

## STEP 25



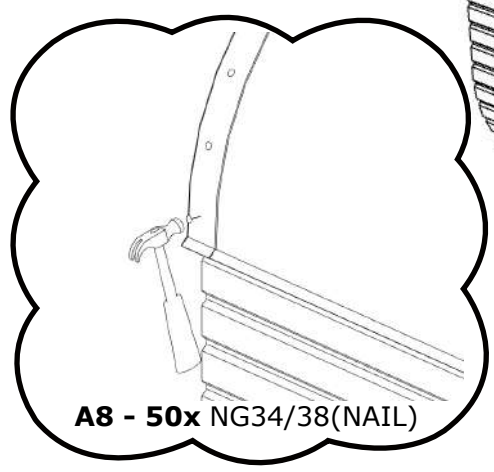
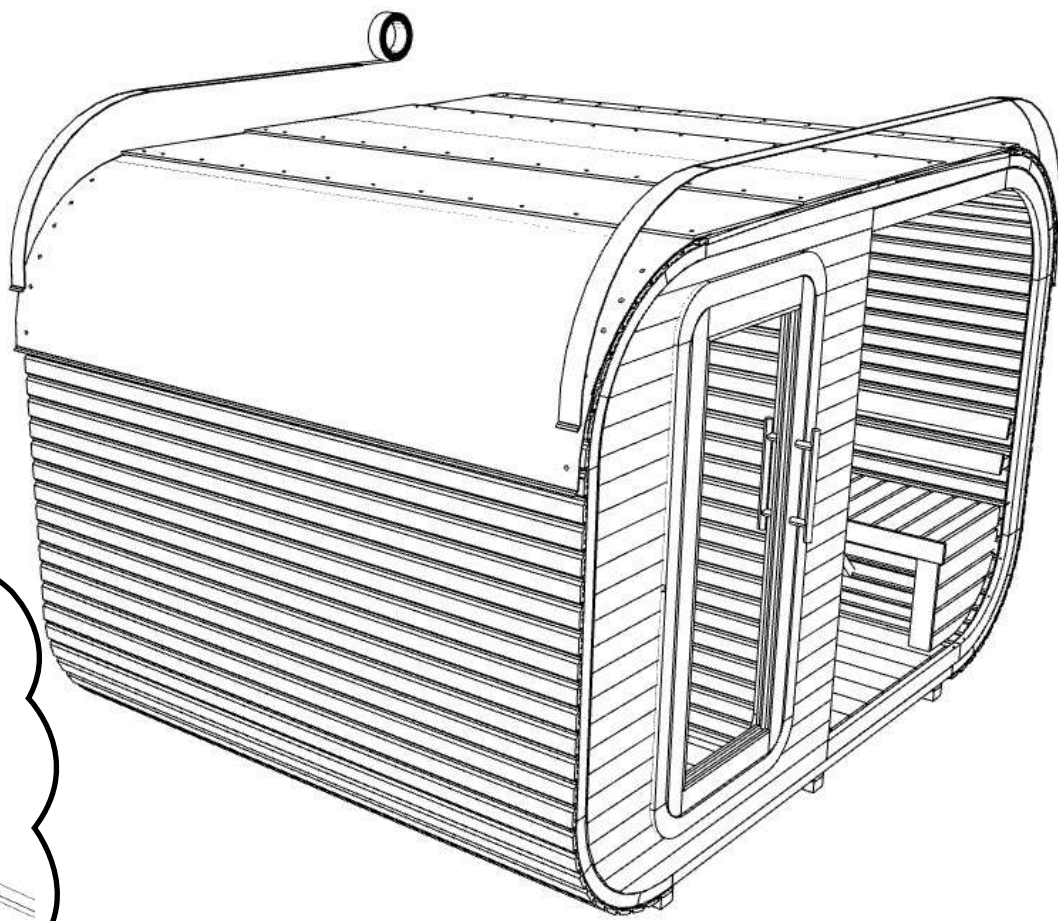
**Attention:** repeat the action on both sides of the sauna

**STEP 26**



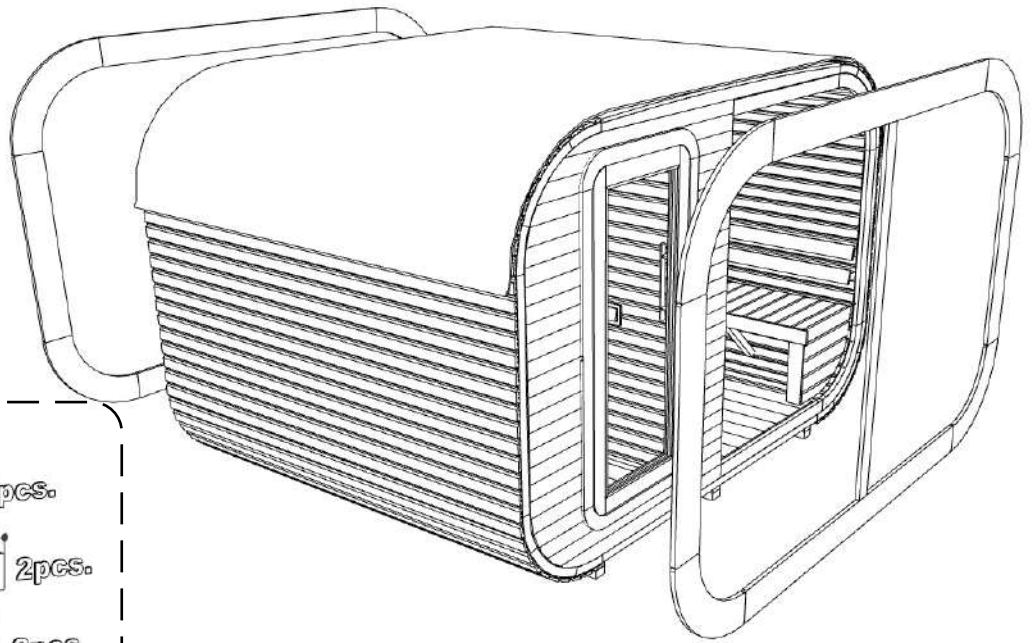
**A8 - 102x NG34/38(NAIL)**

**STEP 27**



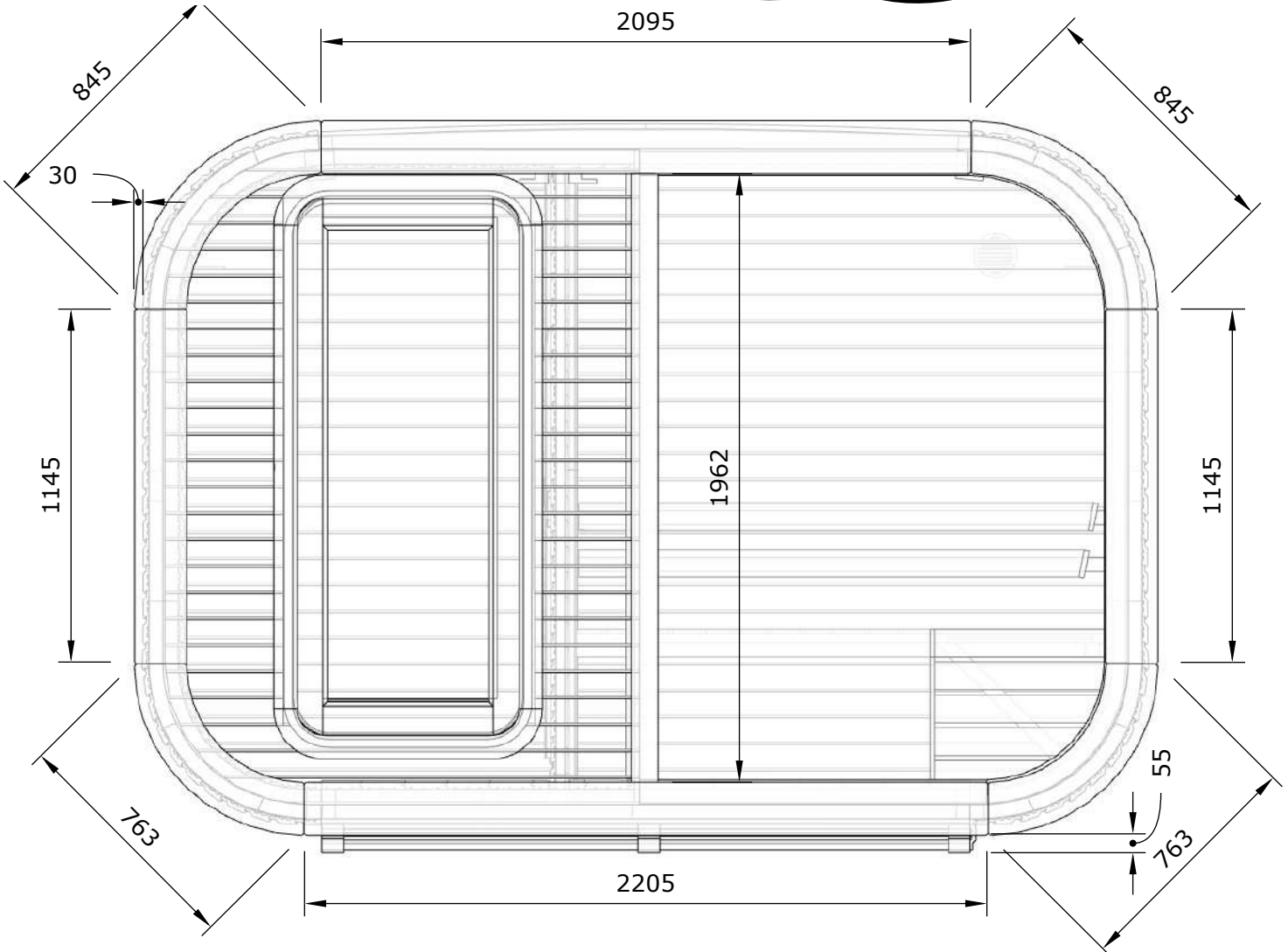
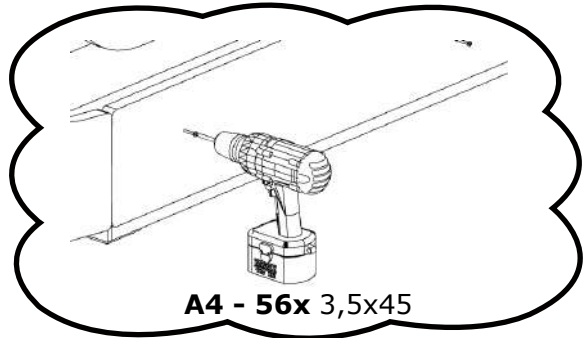
**A8 - 50x NG34/38(NAIL)**

**STEP 28**

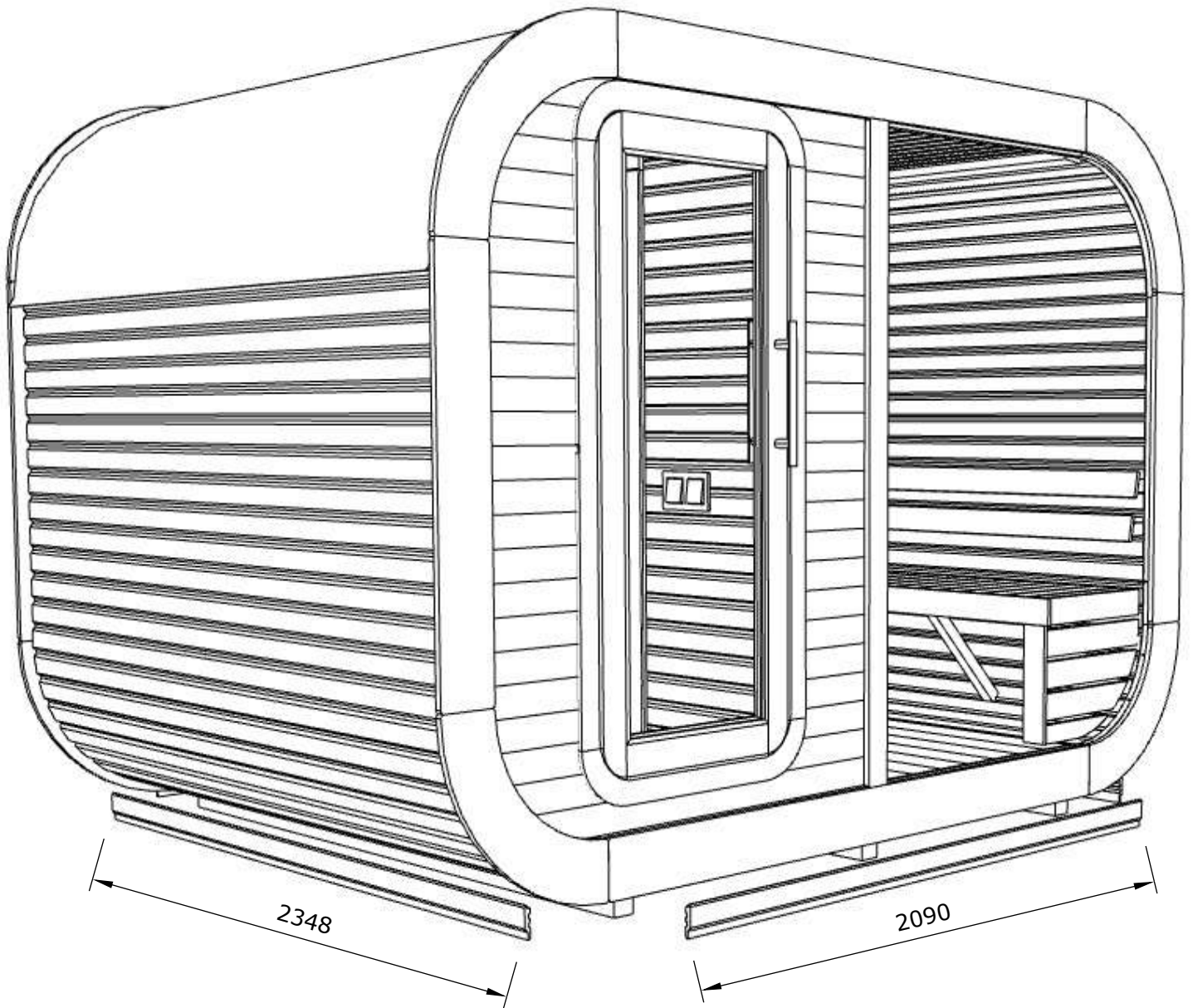


**K-006**

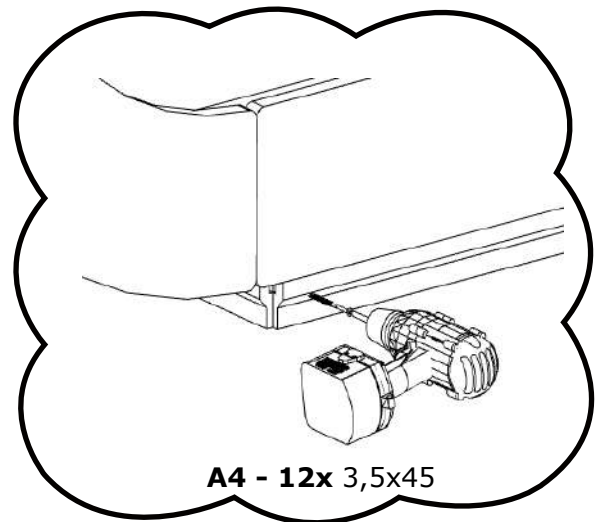
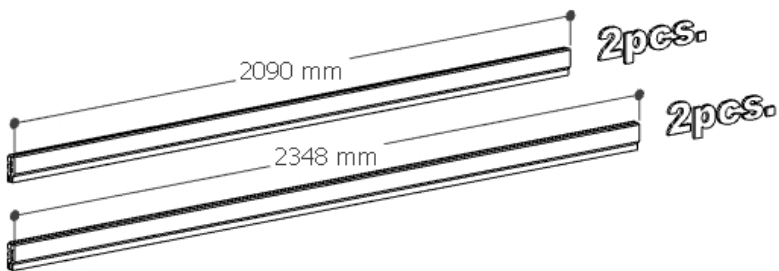
- 1962 mm 1pcs.
- 2205 mm 2pcs.
- 2095 mm 2pcs.
- 845 mm 4pcs.
- 763 mm 4pcs.
- 1145 mm 4pcs.



**STEP 29**



**K-007**



**STEP 30**

**K-008**

